

GTHSPM 2 Valve Calibration Manifold

Soft seat, pipe to pipe
316SS and A108 Carbon Steel



► Overview

Gaugetech® two valve manifolds are supplied in 316L stainless steel are produced in 1/2" NPT female-female, pipe to pipe threaded connections.

GTH soft seat series valves are designed with a Delrin® seat to ensure a tight shut off even in abrasive process conditions.



► Features

- ▶ Delrin® soft seat standard.
- ▶ The stem threads are rolled and lubricated to prevent galling and reduce operating torque.
- ▶ Valves are assembled with standard T-bar handles.
- ▶ All bonnets are assembled with a locking pin to prevent accidental removal while in service.
- ▶ Teflon® packing can be adjusted to increase valve life.
- ▶ Stem packing below the threads prevents lubricant washout and ensures no process contamination.
- ▶ The valves feature safety back seating to ensure a secondary stem seal.
- ▶ Dust caps are fitted to contain stem lubricant and prevent the ingress of contaminants.
- ▶ All valves are hydrostatically tested to 1.5 times maximum working pressure prior to shipment.
- ▶ The valves are Mill Test Traceable.
- ▶ Standard valve on manifold has a 4.8mm orifice size. Cv 0.52 MAX
- ▶ 316SS material traceable to NACE MR0175.
- ▶ AB CRN# OC08236.2
- ▶ BC CRN# OC08236.21
- ▶ SK CRN# OC08236.23

► How to order

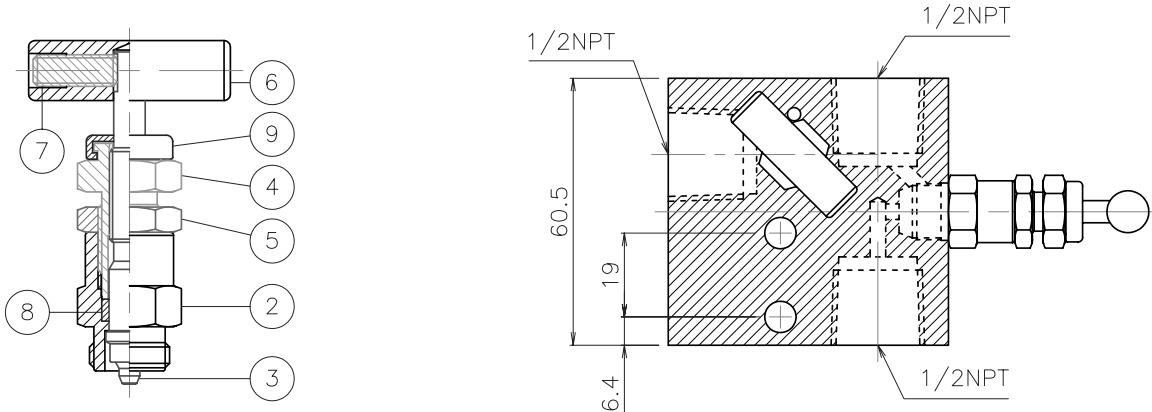
| Part Number | Connections | | Seat | Material |
|-------------|-------------|-----------|------|----------|
| | Inlet | Outlet | | |
| GTHSPM12SSD | 1/2" FNPT | 1/2" FNPT | Soft | 316SS |
| GTHSPM12CD | 1/2" FNPT | 1/2" FNPT | Soft | A108 |

GTHSPM 2 Valve Calibration Manifold

Soft seat, pipe to pipe
316SS and A108 Carbon Steel

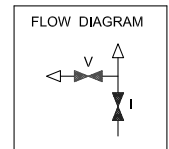
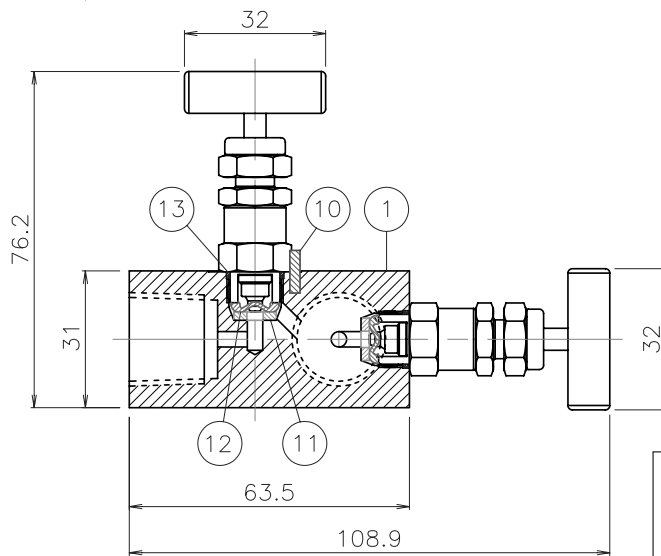


► Dimensions (Drawings are not to scale. Dimensions in millimeters.)



SOFT SEAT

| No. | Description | Stainless Steel | A108 Carbon Steel |
|-----|--------------|-----------------|-------------------|
| 1 | Body | S316L | A108 |
| 2 | Bonnet | S316 | A108 |
| 3 | Stem | S316 | A108 |
| 4 | Adjuster | S316 | A108 |
| 5 | Lock Nut | S316 | A108 |
| 6 | Handle | S303 | A108 |
| 7 | Fixing Screw | S302 | A108 |
| 8 | Packing | Teflon® | Teflon® |
| 9 | Dust cap | NBR | NBR |
| 10 | Locking pin | S304 | A108 |
| 11 | Soft seat | Delrin® | Delrin® |
| 12 | Washer | S316 | A108 |
| 13 | O-ring | Aflas® | Aflas® |



► Pressure vs Temperature

Mini Soft Seat

