

# GT Series 90° Angle Valves

Soft seat  
6,000 psi



## ► Overview

The GT Series 90° Angle Valves series are machined from either bar stock or forged materials and supplied in 316 stainless steel and carbon steel with nickel zinc plate. Our 90° Valves are available in 1/2" Npt and 1/4" NPT with male-female threaded connections. These soft seat valves are designed with a Delrin® seat to ensure a tight shut off, even in abrasive process conditions.

## ► Features

- ▶ Delrin® soft seat standard.
- ▶ The stem threads are rolled and lubricated to prevent galling and reduce operating torque.
- ▶ All bonnets are assembled with a locking pin to prevent accidental removal while in service.
- ▶ Teflon® packing can be adjusted to increase valve life.
- ▶ Stem packing below the threads prevents lubricant washout and ensures no process contamination.
- ▶ The valves feature safety back seating to ensure a secondary stem seal.
- ▶ Dust caps are fitted to contain stem lubricant and prevent the ingress of contaminants.
- ▶ All valves are hydrostatically tested to 1.5 times maximum working pressure prior to shipment.
- ▶ The valves are Mill Test Traceable.
- ▶ 316SS material traceable to NACE MR0175.
- ▶ AB CRN# OC08236.2
- ▶ BC CRN# OC08236.21
- ▶ SK CRN# OC08236.23



## ► How to order

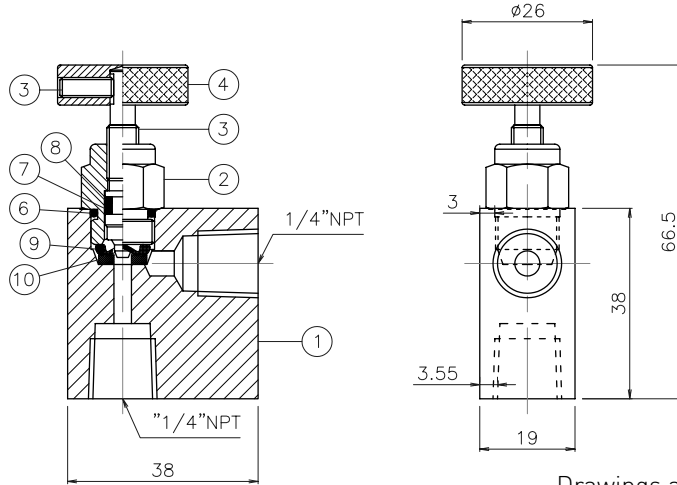
Part Number	Connections		Material	Orifice Size (mm)
	Inlet	Outlet		
GTMNVFFCS90	1/4" FNPT	1/4" FNPT	A108 carbon steel	3
GTFAMFSSD	1/2" MNPT	1/2" FNPT	316SS	4

# GTH Series 90° Angle Valves

Soft seat  
6,000 psi



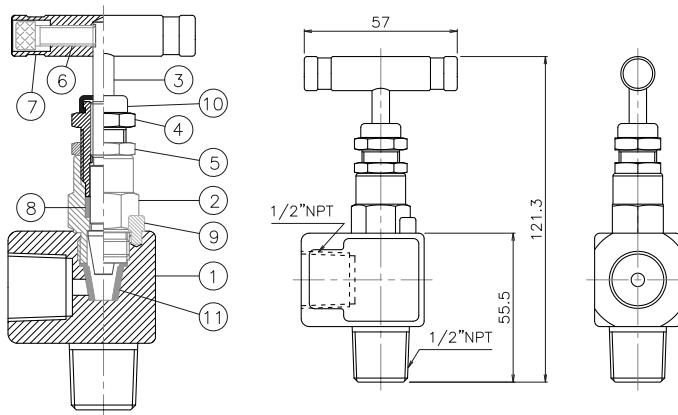
## ► Dimensions (Drawings are not to scale. Dimensions in millimeters.)



GTMNVFFCS90

No.	Description	316SS Valve	C.S. Valve
1	Body	S316	C.S.
2	Bonnet	S316	C.S.
3	Stem	S316	S303
4	Handle	S316	C.S.
5	Fixing Screw	S316	C.S.
6	O-ring	Viton®	Viton®
7	O-ring	Viton®	Viton®
8	Back-up ring	PTFE	PTFE
9	Washer	S316	S316
10	Soft Seat	POM	NBR

Drawings are not to scale.  
Dimensions in millimeters.

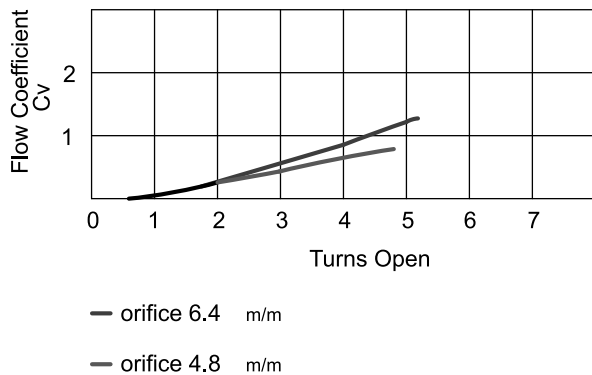


GTFAMFSSD

No.	Description	316SS Valve
1	Body	S316
2	Bonnet	S316
3	Stem	S316
4	Adjuster	S316
5	Lock Nut	S316
6	Handle	S303
7	Fixing Screw	S302
8	Packing	Teflon®
9	Locking Pin	S303
10	Dust Cap	NBR
11	Soft Seat	POM

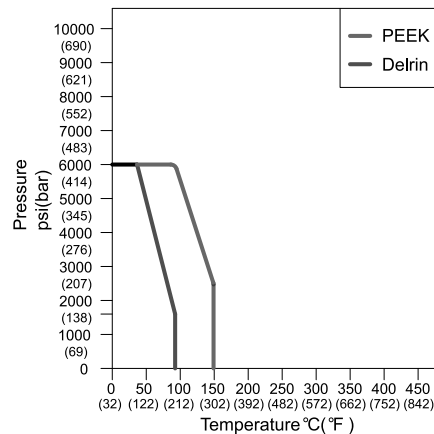
## ► Flow Characteristics

(GTFAMFSSD)



## ► Pressure vs Temperature

(GTFAMFSSD)



**NOTE:**  
See page 13 for  
GTMNVFFCS90  
Flow Characteristics  
and Pressure vs  
Temperature charts