

Chemical Injection Reversed Multi-Port Valve

Hard seat, 316SS, 1/2" NPT ports



► Overview

The Gaugetech® chemical injection valve has all the features of our multi-port gauge valve. The ports are reversed for special field applications which in turn can reduce the use of other valves when used instead of a standard multiport valve.

GTMPCIV series are produced with a 1/2" MNPT process connection with female 1/2" NPT Ports.

The GTMPCIV series are designed with a metal seat for severe working conditions.



► Features

- ▶ Non-rotating stem plug moves axially into and out of the seat without rotation to eliminate seat galling.
- ▶ The stem threads are rolled and lubricated to prevent galling and reduce operating torque.
- ▶ Valves are assembled with standard T-bar handles.
- ▶ All bonnets are assembled with a locking pin to prevent accidental removal while in service.
- ▶ Teflon® packing can be adjusted to increase valve life.
- ▶ Stem packing below the threads prevents lubricant washout and ensures no process contamination.
- ▶ The valves feature safety back seating to ensure a secondary stem seal.
- ▶ Dust caps are fitted to contain stem lubricant and prevent the ingress of contaminants.
- ▶ All valves are hydrostatically tested to 1.5 times maximum working pressure prior to shipment.
- ▶ The valves are Mill Test Traceable.
- ▶ 316SS material traceable to NACE MR0175.
- ▶ AB CRN# OC08236.2
- ▶ BC CRN# OC08236.21
- ▶ SK CRN# OC08236.23

► How to order

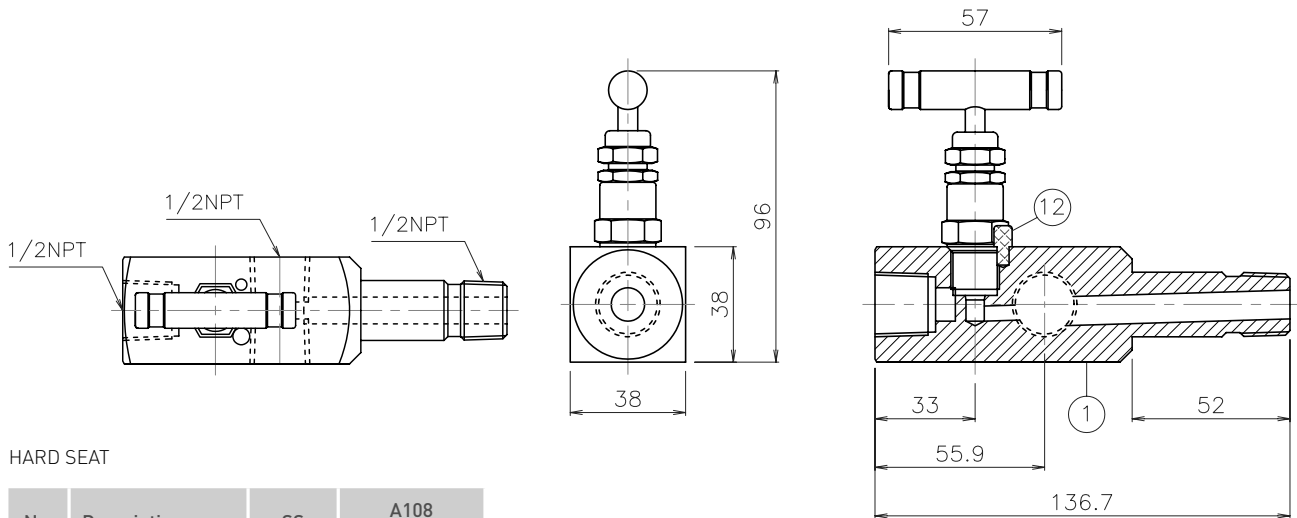
Part Number	Connections		Seat	Material	Orifice Size (mm)
	Inlet	Ports			
GTMPCIV12SH	1/2" MNPT	1/2" FNPT	Hard	316SS	5

Chemical Injection Reversed Multi-Port Valve

Hard seat, 316SS, 1/2" NPT ports



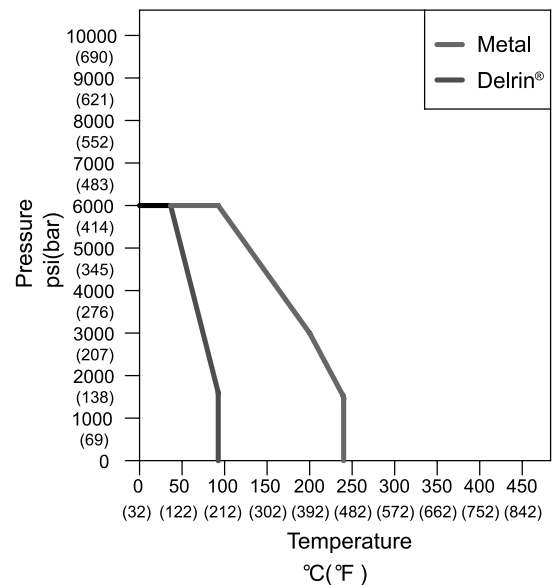
► Dimensions (Drawings are not to scale. Dimensions in millimeters.)



HARD SEAT

No.	Description	SS	A108 Carbon Steel
1	Body	S316	A108
2	Bonnet	S316	A108
3	Stem	S316	S316
4	Adjuster	S316	A108
5	Lock Nut	S316	A108
6	Handle	S303	A108
7	Fixing Screw	S302	A108
8	Packing	Teflon®	Teflon®
9	Washer	S316	A108
10	Pusher	S316	A108
11	Dustcap	NBR	NBR
12	Locking pin	S303	A108

► Pressure vs Temperature



► Flow Characteristics

