

## Multi-Port Gauge Valves

With optional bleed valve

316SS and Carbon Steel, 1/2" and 3/4" NPT



### ► Overview

Gaugetech® multi-port gauge valves are supplied in 316L stainless steel and carbon steel with white zinc plate. GTMPGV series valves are produced with a 1/2" or 3/4" MNPT process connection with 3 female 1/2" NPT Ports. The GTMPGV series are designed with a metal seat for severe working conditions. All multi-port valves come standard with reduced necks. The optional GTBV12- 1/2" NPT bleed valve may be ordered as required.



### ► Features

- ▶ Non-rotating stem plug moves axially into and out of the seat without rotation to eliminate seat galling.
- ▶ The stem threads are rolled and lubricated to prevent galling and reduce operating torque.
- ▶ Valves are assembled with standard t-bar handles.
- ▶ All bonnets are assembled with a locking pin to prevent accidental removal while in service.
- ▶ Teflon® packing can be adjusted to increase valve life.
- ▶ Stem packing below the threads prevents lubricant washout and ensures no process contamination.
- ▶ The valves feature safety back seating to ensure a secondary stem seal.
- ▶ Dust caps are fitted to contain stem lubricant and prevent the ingress of contaminants.
- ▶ All valves are hydrostatically tested to 1.5 times maximum working pressure prior to shipment.
- ▶ The valves are Mill Test Traceable.
- ▶ 316SS material traceable to NACE MR0175.
- ▶ AB CRN# OC08236.2
- ▶ BC CRN# OC08236.21
- ▶ SK CRN# OC08236.23

### ► How to order

Part Number	Connections		Seat	Material	Orifice Size (mm)
	Inlet	Ports			
<b>Gauge Valves</b>					
GTMPGV12SH	1/2" MNPT	1/2" FNPT	Hard	316SS	5
GTMPGV12SH10	1/2" MNPT	1/2" FNPT	Hard	316SS	5
GTMPGV12CH	1/2" MNPT	1/2" FNPT	Hard	A108 carbon steel	5
GTMPGV34SH	3/4" MNPT	1/2" FNPT	Hard	316SS	5
GTMPGV34SH10	3/4" MNPT	1/2" FNPT	Hard	316SS	5
GTMPGV34SSD	3/4" MNPT	1/2" FNPT	Soft	316SS	6
<b>Bleed Valves</b>					
GTBV12	1/2" MNPT	N/A	N/A	316SS	
<b>Hex Plug</b>					
GTHP12	1/2" MNPT	N/A	N/A	316SS	

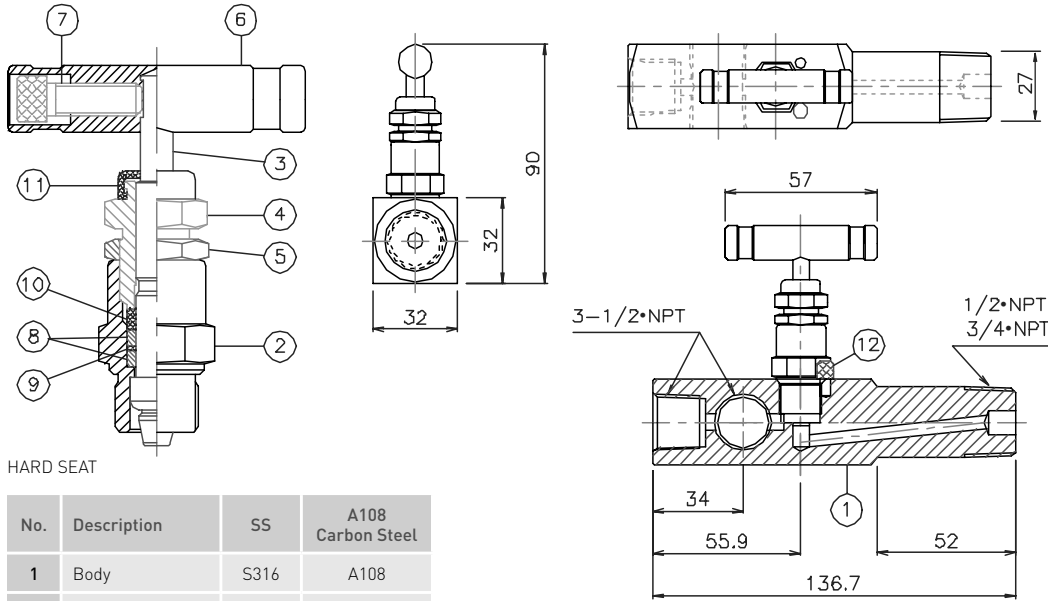
# Multi-Port Gauge Valves

With optional bleed valve

316SS and carbon steel, 1/2" and 3/4" NPT



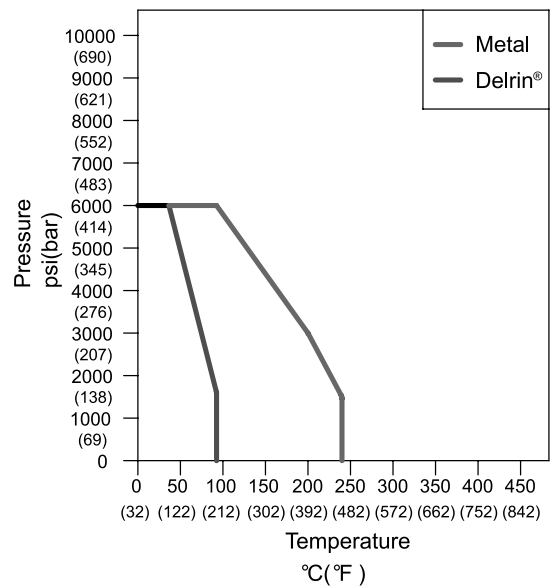
## ► Dimensions (Drawings are not to scale. Dimensions in millimeters.)



HARD SEAT

No.	Description	SS	A108 Carbon Steel
1	Body	S316	A108
2	Bonnet	S316	A108
3	Stem	S316	S316
4	Adjuster	S316	A108
5	Lock Nut	S316	A108
6	Handle	S303	A108
7	Fixing Screw	S302	A108
8	Packing	Teflon®	Teflon®
9	Washer	S316	A108
10	Pusher	S316	A108
11	Dustcap	NBR	NBR
12	Locking pin	S303	A108

## ► Pressure vs Temperature



## ► Flow Characteristics

