

Double Block & Bleed Valves

Hard seat, 316SS, 1/2" NPT
10,000 psi



► Overview

Gaugetech® Double Block & Bleed Valves are supplied in 316L stainless steel.

GTHDBB series valves are produced with a 1/2" MNPT process connection and with female 1/2" NPT instrument connection.

GTHDBB series valves are designed with a metal seat for severe working conditions.

All double block & bleed valves come standard with a 1/4" NPT side drain port.



► Features

- ▶ Non-rotating stem plug moves axially into and out of the seat without rotation to eliminate seat galling.
- ▶ The stem threads are rolled and lubricated to prevent galling and reduce operating torque.
- ▶ Valves are assembled with standard t-bar handles.
- ▶ All bonnets are assembled with a locking pin to prevent accidental removal while in service.
- ▶ Teflon® packing can be adjusted to increase valve life.
- ▶ Stem packing below the threads prevents lubricant washout and ensures no process contamination.
- ▶ The valves feature safety back seating to ensure a secondary stem seal.
- ▶ Dust caps are fitted to contain stem lubricant and prevent the ingress of contaminants.
- ▶ All valves are hydrostatically tested to 1.5 times maximum working pressure prior to shipment.
- ▶ The valves are Mill Test Traceable.
- ▶ 316SS material traceable to NACE MR0175.
- ▶ AB CRN# OC08236.2
- ▶ BC CRN# OC08236.21
- ▶ SK CRN# OC08236.23

► How to order

Part Number	Connections		Seat	Material
	Inlet	Ports		
GTHDBB12MFSS10	1/2" MNPT	1/2" FNPT	Hard	316SS
GTHDBB12FFSS10	1/2" FNPT	1/2" FNPT	Hard	316SS

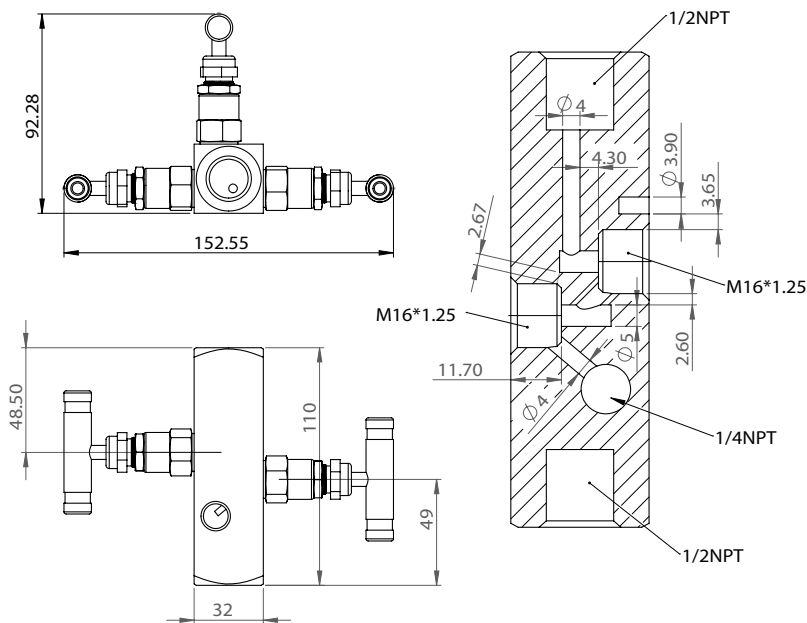
Double Block & Bleed Valves

Hard seat, 316SS, 1/2" NPT
10,000 psi



► Dimensions (Drawings are not to scale. Dimensions in millimeters.)

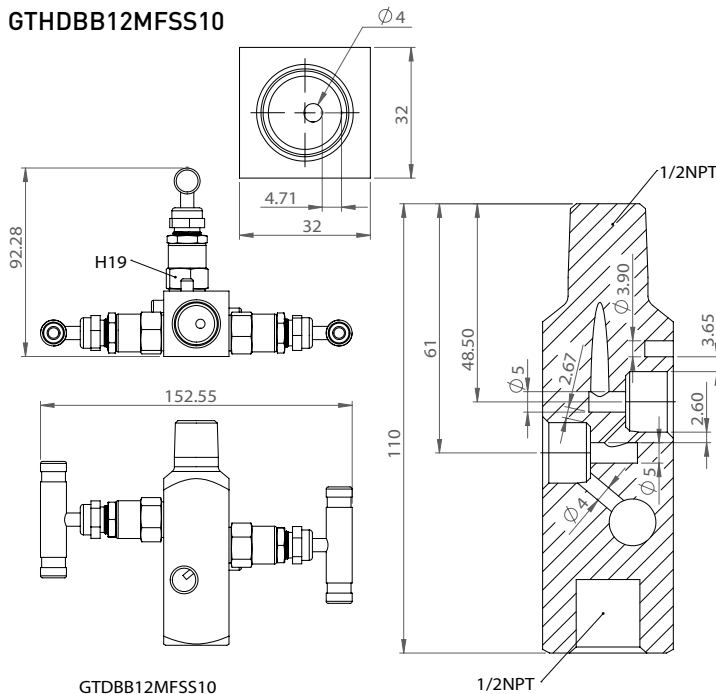
GTHDBB12FFSS10



HARD SEAT

Description	SS
Body	S316
Bonnet	S316
Stem	S316
Adjuster	S316
Lock Nut	S316
Handle	S303
Fixing Screw	S302
Packing	Teflon®
Washer	S316
Pusher	S316
Dust cap	NBR
Locking pin	S303

GTHDBB12MFSS10



► Pressure vs Temperature

Hard Seat

