

# GTG1518 Series (1.5"/40mm)

Stainless Steel Pressure Gauges  
1/8"NPT Bottom or Center Back Mount



## ► Applications

Chemical and petrochemical industries, conventional and nuclear power plants, pumps, hydro-cleaning machines, presses, engine compressors, turbines, diesel engines and refrigerating plants, food and beverage, pharmaceutical industries.



## ► Specifications

|                              |  |
|------------------------------|--|
| Accuracy                     | ASME B40.1, Grade B, ±3-2-3%                         |
| Ambient temperature          | - 40°C to 65°C                                       |
| Process temperature          | Max 100°C (Dry)<br>Max 65°C (Filled)                 |
| Operating pressure           | 75% of the scale value                               |
| Over pressure limit          | 25% of full scale value                              |
| Case                         | AISI 304 SS  |
| Ring                         | AISI 304 SS, crimped ring                            |
| Bourdon Tube                 | 316 SS   |
| Socket                       | AISI 316 SS  |
| Movement                     | AISI 304 SS  |
| Dial                         | Aluminum, black & red graduation on white background |
| Pointer                      | Aluminum, black                                      |
| Window                       | Plexiglas  |
| Fill                         | Silicone (standard)                                  |
| Gaskets/Vent/ Blow out Plugs | Neoprene   |
| Standard Scale               | psi/kPa (standard), special dials & scales available |
| Connection                   | 1/8" NPT (standard)                                  |
| AB CRN#                      | 0F17866.2  |

## ► How to order

Bottom Mount: GTG1518 + Range Code  
Center Back Mount: GTG1518D + Range Code

| Range Code |                     | Range Code |                      | Range Code |                | Range Code |                |
|------------|---------------------|------------|----------------------|------------|----------------|------------|----------------|
| 01         | 30"Hg - 0           | <b>11</b>  | <b>0-60 psi/kPa</b>  | 16         | 0-400 psi/kPa  | 22         | 0-2000 psi/kPa |
| 03         | 30"Hg-30 psi/kPa    | <b>12</b>  | <b>0-100 psi/kPa</b> | 17         | 0-500 psi/kPa  | 23         | 0-3000 psi/kPa |
| 04         | 30"Hg-60 psi/kPa    | <b>13</b>  | <b>0-160 psi/kPa</b> | 18         | 0-600 psi/kPa  |            |                |
| <b>09</b>  | <b>0-15 psi/kPa</b> | <b>14</b>  | <b>0-200 psi/kPa</b> | 20         | 0-1000 psi/kPa |            |                |
| <b>10</b>  | <b>0-30 psi/kPa</b> | 15         | 0-300 psi/kPa        | 21         | 0-1500 psi/kPa |            |                |

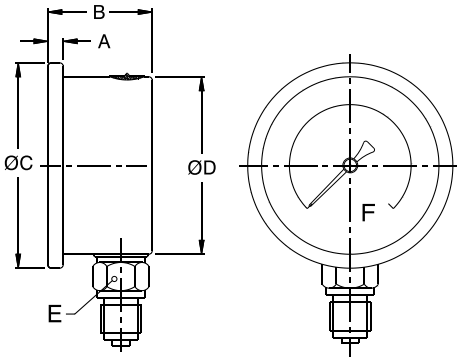
Ranges shown in bold are typically stocked in our warehouse.

# GTG1518 Series (1.5"/40mm)

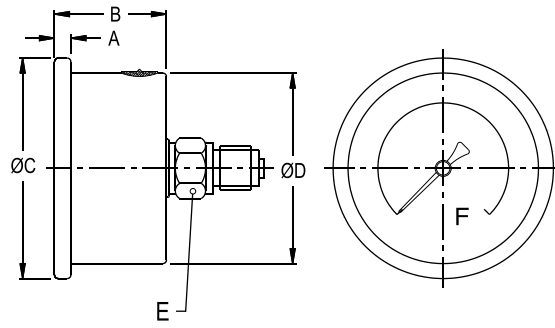
Stainless Steel Pressure Gauges  
 1/8" NPT Bottom or Center Back Mount



► **Dimensions** (Drawings are not to scale. Dimensions in millimeters.)



| NS | A | B  | ØC | ØD | E  | F  |
|----|---|----|----|----|----|----|
| 40 | 4 | 25 | 30 | 44 | 39 | 51 |



| NS | A | B  | ØC | ØD | E  | F  |
|----|---|----|----|----|----|----|
| 40 | 4 | 25 | 30 | 44 | 39 | 45 |