

# GTG2510 Series (2.5"/63mm)

Brass Internal Pressure Gauges  
1/4"NPT Bottom or Center Back Mount



## ► Applications

Chemical and petrochemical industries, conventional and nuclear power plants, pumps, hydro-cleaning machines, presses, engine compressors, turbines, diesel engines and refrigerating plants, food and beverage, pharmaceutical industries. For measuring water, oil, gas or any medium not corrosive to brass or phosphor bronze.



## ► Specifications

Accuracy	ASME B40.1, Grade B, ±3-2-3%
Ambient temperature	- 40°C to + 65°C
Process temperature	Max 100°C (Dry) Max 65°C (Filled)
Operating pressure	75% of the scale value
Over pressure limit	25% of full scale value
Case	AISI 304 SS
Ring	AISI 304 SS, crimped ring
Bourdon Tube	Phosphor Bronze
Socket	Brass
Movement	Phosphor Bronze
Dial	Aluminum, black & red graduation on white background
Pointer	Aluminum, black
Window	Plexiglas
Fill	Glycerine/H <sub>2</sub> O -40°C (standard) Silicone (optional)
Gaskets/Vent/ Blow out Plugs	Neoprene
Standard Scale	psi/kPa (standard), special dials & scales available
Connection	1/4" NPT (standard)
AB CRN#	0F17866.2

## ► How to order

Bottom Mount: GTG2510A + Range Code  
Center Back Mount: GTG2510D + Range Code

Panel Mount Accessories: GTFF-2.5: Front Flange 304SS  
GTUC-2.5: U-Clamp

Range Code		Range Code		Range Code		Range Code	
<b>01</b>	<b>30"Hg - 0</b>	08	30"Hg-300 psi/kPa	<b>15</b>	<b>0-300 psi/kPa</b>	<b>22</b>	<b>0-2000 psi/kPa</b>
02	30"Hg-15 psi/kPa	<b>09</b>	<b>0-15 psi/kPa</b>	<b>16</b>	<b>0-400 psi/kPa</b>	<b>23</b>	<b>0-3000 psi/kPa</b>
<b>03</b>	<b>30"Hg-30 psi/kPa</b>	<b>10</b>	<b>0-30 psi/kPa</b>	<b>17</b>	<b>0-500 psi/kPa</b>	24	0-4000 psi/kPa
<b>04</b>	<b>30"Hg-60 psi/kPa</b>	<b>11</b>	<b>0-60 psi/kPa</b>	<b>18</b>	<b>0-600 psi/kPa</b>	<b>25</b>	<b>0-5000 psi/kPa</b>
05	30"Hg-100 psi/kPa	<b>12</b>	<b>0-100 psi/kPa</b>	19	0-800 psi/kPa	<b>26</b>	<b>0-6000 psi/kPa</b>
06	30"Hg-150 psi/kPa	<b>13</b>	<b>0-160 psi/kPa</b>	<b>20</b>	<b>0-1000 psi/kPa</b>	<b>27</b>	<b>0-10,000 psi/kPa</b>
07	30"Hg-200 psi/kPa	<b>14</b>	<b>0-200 psi/kPa</b>	<b>21</b>	<b>0-1500 psi/kPa</b>		

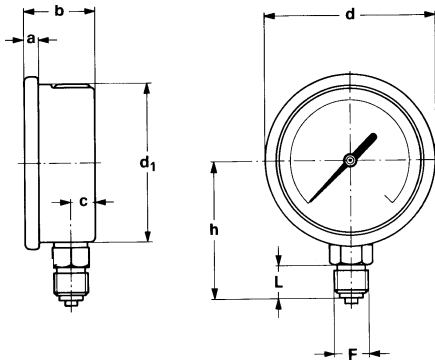
Ranges shown in bold are typically stocked in our warehouse.

# GTG2510 Series (2.5"/63mm)

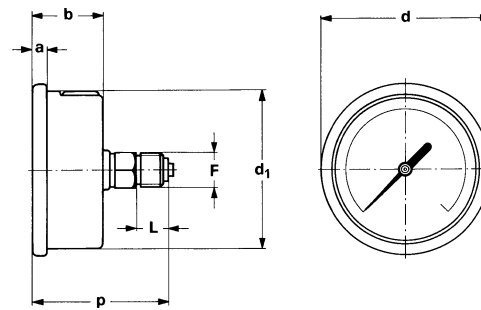
Brass Internal Pressure Gauges  
1/4"NPT Bottom or Center Back Mount



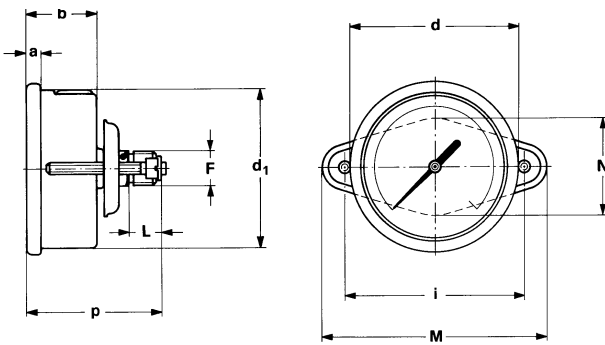
## ► Dimensions (Drawings are not to scale. Dimensions in millimeters.)



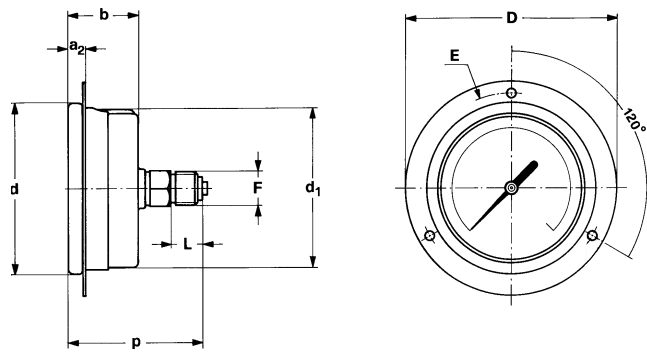
Lower Connection



Flush Mounting Back Connection



Flush Mounting, "U-Clamp" Back Connection



Flush Mounting, Front Flange Back Connection

NS	A	A <sub>2</sub>	b	c	d	d <sub>1</sub>	E	F	I	L	M	N	P
63	6	7	30	9	68	61	75	13	71	12	90	38	56

## ► Accessories



Flange: GTFF-2.5



U-Clamp: GTUC-2.5