

# GTG2518 Series (2.5"/63mm)

Stainless Steel Pressure Gauges  
1/4"NPT Bottom or Center Back Mount



## ► Applications

Chemical and petrochemical industries, conventional and nuclear power plants, pumps, hydro-cleaning machines, presses, engine compressors, turbines, diesel engines and refrigerating plants, food and beverage, pharmaceutical industries.



## ► Specifications

Accuracy	ASME B40.1, Grade B, ±3-2-3%
Ambient temperature	- 40°C to 65°C
Process temperature	Max 100°C (Dry) Max 65°C (Filled)
Operating pressure	75% of the scale value
Over pressure limit	25% of full scale value
Case	AISI 304 SS
Ring	AISI 304 SS, crimped ring
Bourdon Tube	AISI 316 SS
Socket	AISI 316 SS
Movement	AISI 304 SS
Dial	Aluminum, black & red graduation on white background
Pointer	Aluminum, black
Window	Plexiglas
Fill	Glycerine/H <sub>2</sub> O -40°C (standard) Silicone (optional)
Gaskets/Vent/ Blow out Plugs	Neoprene
Standard Scale	psi/kPa (standard), special dials & scales available
Connection	1/4" NPT (standard)
AB CRN#	0F17866.2

## ► How to order

Bottom Mount: GTG2518A + Range Code  
Center Back Mount: GTG2518D + Range Code

Panel Mount Accessories: GTFF-2.5: Front Flange 304SS  
GTUC-2.5: U-Clamp

Range Code		Range Code		Range Code		Range Code	
<b>01</b>	<b>30" Hg - 0</b>	<b>08</b>	<b>30" Hg-300 psi/kPa</b>	<b>15</b>	<b>0-300 psi/kPa</b>	<b>22</b>	<b>0-2000 psi/kPa</b>
02	30" Hg-15 psi/kPa	<b>09</b>	<b>0-15 psi/kPa</b>	<b>16</b>	<b>0-400 psi/kPa</b>	<b>23</b>	<b>0-3000 psi/kPa</b>
<b>03</b>	<b>30" Hg-30 psi/kPa</b>	<b>10</b>	<b>0-30 psi/kPa</b>	<b>17</b>	<b>0-500 psi/kPa</b>	24	0-4000 psi/kPa
<b>04</b>	<b>30" Hg-60 psi/kPa</b>	<b>11</b>	<b>0-60 psi/kPa</b>	<b>18</b>	<b>0-600 psi/kPa</b>	<b>25</b>	<b>0-5000 psi/kPa</b>
05	30" Hg-100 psi/kPa	<b>12</b>	<b>0-100 psi/kPa</b>	19	0-800 psi/kPa	<b>26</b>	<b>0-6000 psi/kPa</b>
<b>06</b>	<b>30" Hg-150 psi/kPa</b>	<b>13</b>	<b>0-160 psi/kPa</b>	<b>20</b>	<b>0-1000 psi/kPa</b>	<b>27</b>	<b>0-10,000 psi/kPa</b>
07	30" Hg-200 psi/kPa	<b>14</b>	<b>0-200 psi/kPa</b>	<b>21</b>	<b>0-1500 psi/kPa</b>		

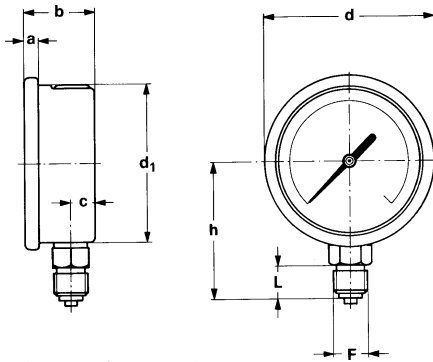
Ranges shown in bold are typically stocked in our warehouse.

# GTG2518 Series (2.5"/63mm)

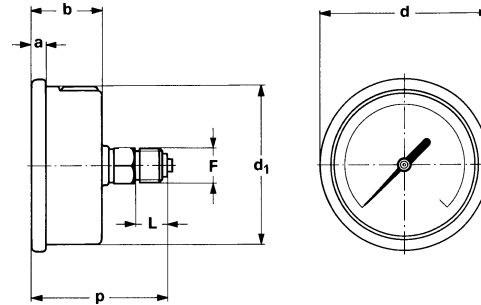
Stainless Steel Pressure Gauges  
1/4" NPT Bottom or Center Back Mount



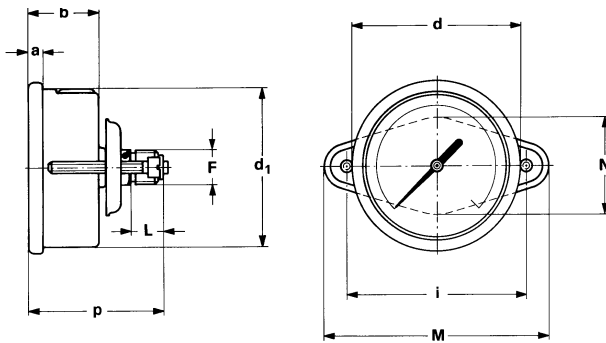
## ► Dimensions (Drawings are not to scale. Dimensions in millimeters.)



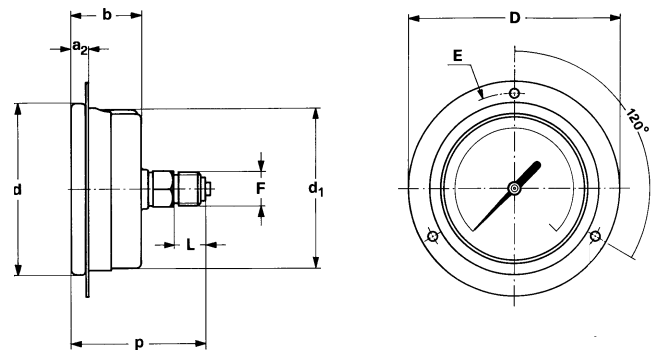
Lower Connection



Flush Mounting Back Connection



Flush Mounting, "U-Clamp" Back Connection



Flush Mounting, Front Flange Back Connection

NS	A	A <sub>2</sub>	b	c	d	d <sub>1</sub>	E	F	I	L	M	N	P
63	6	7	30	9	68	61	75	13	71	12	90	38	56

## ► Accessories



Flange: GTFF-2.5



U-Clamp: GTUC-2.5