

# GTG40/45 Series (4"/100mm & 4.5"/115mm)

316 Stainless Steel Panel Mount Pressure Gauges  
1/4"NPT Back Mount



## ► Applications

Chemical and petrochemical industries, conventional and nuclear power plants, pumps, hydro-cleaning machines, presses, engine compressors, turbines, diesel engines and refrigerating plants, food and beverage, pharmaceutical industries.



## ► Specifications

Accuracy	±1.0% of full scale ASME B40.1 Grade 1A
Ambient temperature	- 40°C to 65°C
Process temperature	Max 300°C (Dry) Max 65°C (Filled)
Operating pressure	75% of the scale value
Over pressure limit	25% of full scale value
Case	AISI 304 SS
Ring	AISI 304 SS, bayonet type
Bourdon Tube	AISI 316L SS
Socket	AISI 316L SS (directly welded to case)
Movement	AISI 304 SS
Welding	Tig argon arc welding
Protection	IP 55
Dial	Aluminum, black & red graduation on white background
Pointer	Aluminum, black colored micrometer zero adjustable
Window	Plexiglas
Fill	Glycerine/H <sub>2</sub> O -40°C (standard) Silicone (optional)
Gaskets/Vent/ Blow out Plugs	Neoprene
Standard Scale	psi/kPa (standard), special dials & scales available
Connection	1/4" NPT (standard)
Options	Certifiable to 1% NIST traceability Oxygen Cleaned (dry case only)
AB CRN#	0F08136.2

## ► How to order

### Glycerine Filled U-Clamp, 4" (100mm):

GTG4018B + range code (+ GTFF-4 for optional front flange mounting)

### Glycerine Filled U-Clamp, 4.5" (115mm):

GTG4518B + range code (+ GTFF-4.5 for optional front flange mounting)

Range Code		Range Code		Range Code		Range Code	
<b>01</b>	<b>30" Hg - 0</b>	<b>09</b>	<b>0-15 psi/kPa</b>	<b>17</b>	<b>0-500 psi/kPa</b>	<b>25</b>	<b>0-5000 psi/kPa</b>
02	30" Hg-15 psi/kPa	10	0-30 psi/kPa	18	0-600 psi/kPa	26	0-6000 psi/kPa
<b>03</b>	<b>30" Hg-30 psi/kPa</b>	11	0-60 psi/kPa	19	0-800 psi/kPa	<b>27</b>	<b>0-10,000 psi/kPa</b>
04	30" Hg-60 psi/kPa	12	0-100 psi/kPa	20	0-1000 psi/kPa	28	0-15,000 psi/kPa
05	30" Hg-100 psi/kPa	13	0-160 psi/kPa	21	0-1500 psi/kPa	<b>29</b>	<b>0-20,000 psi/kPa</b>
<b>06</b>	<b>30" Hg-150 psi/kPa</b>	14	0-200 psi/kPa	22	0-2000 psi/kPa		
07	30" Hg-200 psi/kPa	15	0-300 psi/kPa	23	0-3000 psi/kPa		
<b>08</b>	<b>30" Hg-300 psi/kPa</b>	16	0-400 psi/kPa	24	0-4000 psi/kPa		

Ranges shown in bold are typically stocked in our warehouse.

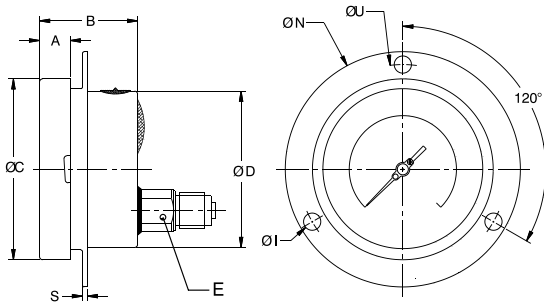
# GTG40/45 Series (4"/100mm & 4.5"/115mm)

316 Stainless Steel Panel Mount Pressure Gauges  
1/4" NPT Back Mount



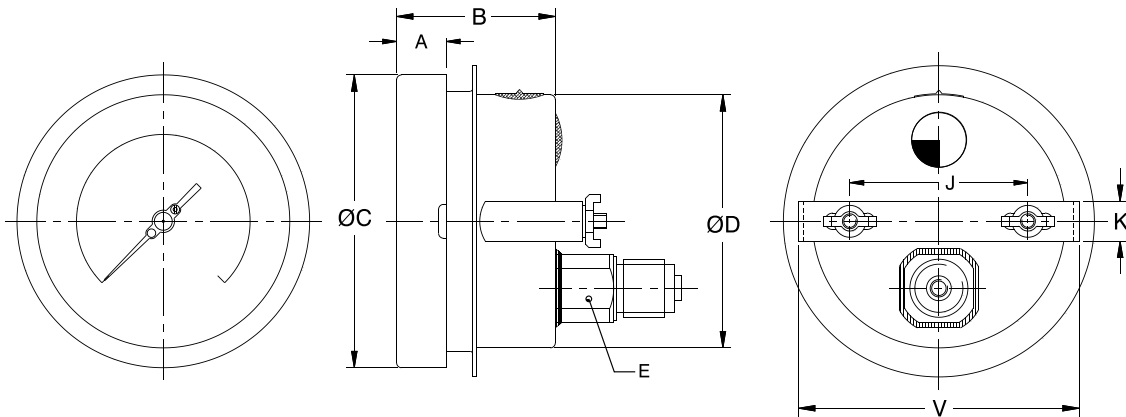
## ► Dimensions (Drawings are not to scale. Dimensions in millimeters.)

Type E



NS	A	B	ØC	ØD	E	S	ØL	ØN	ØU
100	12.5	48	110	100	22	1	6	134	118
115	11	48	131	119	22	4	6	152	138

Type B



NS	A	B	ØC	ØD	E	J	K	V
100	12.5	48	110	100	22	66.5	16	106
115	11	48	131	119	22	80	16	129.5

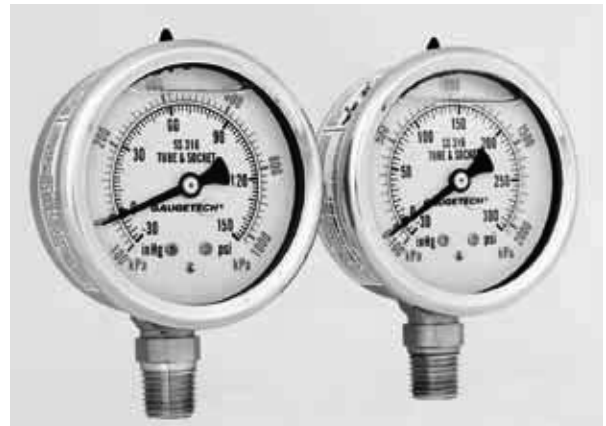
# GTG2518 Series (2.5"/63mm) GTG40 Series (4"/100mm)



**AMMONIA** Stainless Steel Pressure Gauges  
1/2"NPT Bottom Mount

## ► Applications

Designed for refrigeration ammonia, Gaugetech® ammonia pressure gauges feature 316 stainless steel wetted parts and a 304 stainless steel case. These gauges are factory liquid filled for vibration service and are available in 2 1/2" and 4" sizes in various mounting configurations.



## ► Specifications

Accuracy - 100mm	±1.0% of full scale ASME B40.1 Grade 1A
Accuracy - 63mm	ASME B40.1, Grade B, ±3-2-3%
Case	AISI 304 SS
Ring	AISI 304 SS
Bourdon Tube	AISI 316L SS
Socket	AISI 316L SS (directly welded to case)
Movement	AISI 304 SS
Window	Plexiglas
Fill	Glycerine/H <sub>2</sub> O -40°C (standard)
Connection	1/4" NPT (standard)
AB CRN# (2.5")	0F17866.2
AB CRN# (4")	0F08136.2

## ► How to order

### GTG2518 (2.5"/63mm)

Bottom Mount: GTG2518A + Range Code  
Center Back Mount: GTG2518D + Range Code

**Panel Mount Accessories:** GTFF-2.5: Front Flange  
GTUC-2.5: U-Clamp

### GTG40 (4"/100mm)

Bottom Mount Outlet Plain Case: GTG4014 + Range Code  
Bottom Outlet with Back Flange Wall Mount: GTG4014 + Range Code + FLNG4  
Rear Outlet with Back Flange Wall Mount: GTG4018B + Range Code + FLNG4\*\*  
Rear Outlet Plain Case or U-Clamp Panel: GTG4018B + Range Code  
Rear Outlet Front Flange Panel: GTG4018B + Range Code + GTFF-4

Range Code	
<b>06</b>	<b>30"Hg-150 psi/kPa/NH3</b>
<b>08</b>	<b>30"Hg-300 psi/kPa/NH3</b>

Ranges shown in bold are typically stocked in our warehouse. \*\*Not shown in drawings