

# GTG40 Series (4"/100mm)

Stainless Steel Pressure Gauges  
1/2"NPT Bottom Mount



## ► Applications

Chemical and petrochemical industries, conventional and nuclear power plants, pumps, hydro-cleaning machines, presses, engine compressors, turbines, diesel engines and refrigerating plants, food and beverage, pharmaceutical industries.



## ► Specifications

Accuracy	±1.0% of full scale ASME B40.1 Grade 1A
Ambient temperature	-40°C to 65°C
Process temperature	Max 300°C (Dry) Max 65°C (Filled)
Operating pressure	75% of the scale value
Over pressure limit	25% of full scale value
Case	AISI 304 SS
Ring	AISI 304 SS, bayonet type
Bourdon Tube	AISI 316L SS
Socket	AISI 316L SS (directly welded to case)
Movement	AISI 304 SS
Welding	Tig argon arc welding
Protection	IP 55
Dial	Aluminum, black & red graduation on white background
Pointer	Aluminum, black colored micrometer zero adjustable
Window	Plexiglas
Fill	Glycerine/H <sub>2</sub> O -40°C (standard) Silicone (optional)
Gaskets/Vent/Blow out Plugs	Neoprene
Standard Scale	psi/kPa (standard), special dials & scales available
Connection	1/2" NPT (standard) 1/4" NPT (standard)
Options	Certifiable to 1% NIST traceability Oxygen Cleaned (dry case only)
AB CRN#	0F08136.2

## ► How to order

**Standard Model Glycerine Filled:**  
1/2" NPT GTG4012 + Range Code  
1/4" NPT GTG4014 + Range Code

Range Code		Range Code		Range Code		Range Code	
<b>01</b>	<b>30" Hg - 0</b>	<b>09</b>	<b>0-15 psi/kPa</b>	<b>17</b>	<b>0-500 psi/kPa</b>	<b>25</b>	<b>0-5000 psi/kPa</b>
02	30" Hg-15 psi/kPa	10	0-30 psi/kPa	18	0-600 psi/kPa	26	0-6000 psi/kPa
<b>03</b>	<b>30" Hg-30 psi/kPa</b>	11	0-60 psi/kPa	19	0-800 psi/kPa	<b>27</b>	<b>0-10,000 psi/kPa</b>
<b>04</b>	<b>30" Hg-60 psi/kPa</b>	12	0-100 psi/kPa	<b>20</b>	<b>0-1000 psi/kPa</b>	<b>28</b>	<b>0-15,000 psi/kPa</b>
<b>05</b>	<b>30" Hg-100 psi/kPa</b>	13	0-160 psi/kPa	<b>21</b>	<b>0-1500 psi/kPa</b>	<b>29</b>	<b>0-20,000 psi/kPa</b>
<b>06</b>	<b>30" Hg-150 psi/kPa</b>	14	0-200 psi/kPa	<b>22</b>	<b>0-2000 psi/kPa</b>		
07	30" Hg-200 psi/kPa	<b>15</b>	<b>0-300 psi/kPa</b>	<b>23</b>	<b>0-3000 psi/kPa</b>		
<b>08</b>	<b>30" Hg-300 psi/kPa</b>	16	0-400 psi/kPa	24	0-4000 psi/kPa		

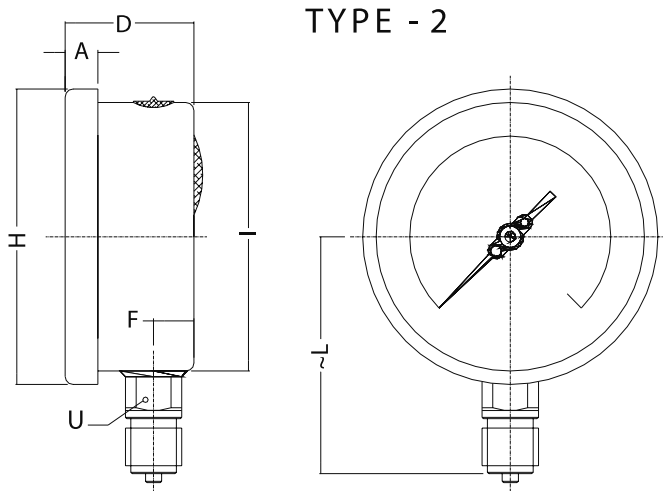
Ranges shown in bold are typically stocked in our warehouse.

# GTG40 Series (4"/100mm)

Stainless Steel Pressure Gauges  
1/2" NPT Bottom Mount



## ► Dimensions (Drawings are not to scale. Dimensions in millimeters.)



NS	A	D	F	H	I	~L	U	WT(kg)
100	12	47	16.5	110.5	100	90	22	0.64