

GTG1518 Series (1.5"/40mm)

Stainless Steel Pressure Gauges
 1/8" NPT Bottom or Center Back Mount



► Applications

Chemical and petrochemical industries, conventional and nuclear power plants, pumps, hydro-cleaning machines, presses, engine compressors, turbines, diesel engines and refrigerating plants, food and beverage, pharmaceutical industries.



AB CRN#	OF17866.2
BC CRN#	OF17866.21
SK CRN#	OF17866.23

► Specifications

Accuracy	ASME B40.1, Grade B, ±3-2-3%
Ambient temperature	-40°C to +65°C
Process temperature	Max 100°C (Dry) Max 65°C (Filled)
Operating pressure	75% of the scale value
Over pressure limit	25% of full scale value
Case	AISI 304 SS
Ring	AISI 304 SS, crimped ring
Bourdon Tube	316 SS
Socket	AISI 316 SS
Movement	AISI 304 SS
Dial	Aluminum, black & red graduation on white background
Pointer	Aluminum, black
Window	Plexiglas
Fill	Silicone (standard)
Gaskets/Vent/Blow Out Plugs	Neoprene
Standard Scale	psi/kPa (standard), special dials & scales available
Connection	1/8" NPT (standard)

► How to order

Bottom Mount: GTG1518 + Range Code
 Center Back Mount: GTG1518D + Range Code

Range Code		Range Code		Range Code		Range Code	
01	30" Hg - 0	11	0-60 psi/kPa	16	0-400 psi/kPa	22	0-2000 psi/kPa
03	30" Hg-30 psi/kPa	12	0-100 psi/kPa	17	0-500 psi/kPa	23	0-3000 psi/kPa
04	30" Hg-60 psi/kPa	13	0-160 psi/kPa	18	0-600 psi/kPa		
09	0-15 psi/kPa	14	0-200 psi/kPa	20	0-1000 psi/kPa		
10	0-30 psi/kPa	15	0-300 psi/kPa	21	0-1500 psi/kPa		

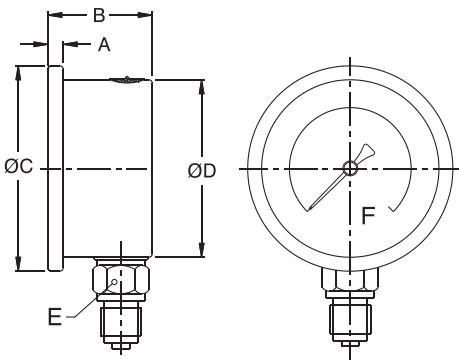
Ranges shown in bold are typically stocked in our warehouse.

GTG1518 Series (1.5"/40mm)

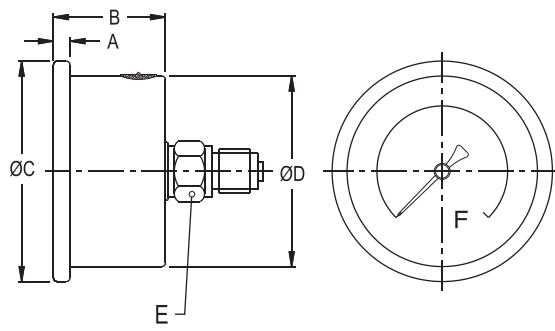
Stainless Steel Pressure Gauges
 1/8" NPT Bottom or Center Back Mount



► **Dimensions** (Drawings are not to scale. Dimensions in millimeters.)



NS	A	B	ØC	ØD	E	F
40	4	25	30	44	39	51



NS	A	B	ØC	ØD	E	F
40	4	25	30	44	39	45