

## GTG40/45 Series (4"/100mm & 4.5"/115mm)

316 Stainless Steel Panel Mount Pressure Gauges  
1/4"NPT Back Mount



### ► Applications

Chemical and petrochemical industries, conventional and nuclear power plants, pumps, hydro-cleaning machines, presses, engine compressors, turbines, diesel engines and refrigerating plants, food and beverage, pharmaceutical industries.



AB CRN# OF08136.2  
BC CRN# OF08136.21  
SK CRN# OF08136.23

### ► Specifications

Accuracy	±1.0% of full scale ASME B40.1 Grade 1A
Ambient temperature	-40°C to +65°C
Process temperature	Max 300°C (Dry) Max 65°C (Filled)
Operating pressure	75% of the scale value
Over pressure limit	25% of full scale value
Case	AISI 304 SS
Ring	AISI 304 SS, bayonet type
Bourdon Tube	AISI 316L SS
Socket	AISI 316L SS (directly welded to case)
Movement	AISI 304 SS
Welding	Tig argon arc welding
Protection	IP 55
Dial	Aluminum, black & red graduation on white background
Pointer	Aluminum, black colored micrometer zero adjustable
Window	Plexiglas
Fill	Glycerine/H <sub>2</sub> O -40°C (standard) Silicone (optional)
Gaskets/Vent/Blow Out Plugs	Neoprene
Standard Scale	psi/kPa (standard), special dials & scales available
Connection	1/4" NPT (standard)
Options	Certifiable to 1% NIST traceability Oxygen Cleaned (dry case only)

#### Glycerine Filled U-Clamp, 4" (100mm):

GTG4018B + range code (+ GTFF-4 for optional front flange mounting)

#### Glycerine Filled U-Clamp, 4.5" (115mm):

GTG4518B + range code (+ GTFF-4.5 for optional front flange mounting)

Range Code		Range Code		Range Code		Range Code	
<b>01</b>	<b>30" Hg - 0</b>	<b>09</b>	<b>0-15 psi/kPa</b>	<b>17</b>	<b>0-500 psi/kPa</b>	<b>25</b>	<b>0-5000 psi/kPa</b>
02	30" Hg-15 psi/kPa	10	0-30 psi/kPa	18	0-600 psi/kPa	26	0-6000 psi/kPa
<b>03</b>	<b>30" Hg-30 psi/kPa</b>	11	0-60 psi/kPa	19	0-800 psi/kPa	<b>27</b>	<b>0-10,000 psi/kPa</b>
04	30" Hg-60 psi/kPa	12	0-100 psi/kPa	20	0-1000 psi/kPa	28	0-15,000 psi/kPa
05	30" Hg-100 psi/kPa	13	0-160 psi/kPa	21	0-1500 psi/kPa	<b>29</b>	<b>0-20,000 psi/kPa</b>
<b>06</b>	<b>30" Hg-150 psi/kPa</b>	14	0-200 psi/kPa	22	0-2000 psi/kPa		
07	30" Hg-200 psi/kPa	15	0-300 psi/kPa	23	0-3000 psi/kPa		
<b>08</b>	<b>30" Hg-300 psi/kPa</b>	16	0-400 psi/kPa	24	0-4000 psi/kPa		

Ranges shown in bold are typically stocked in our warehouse.

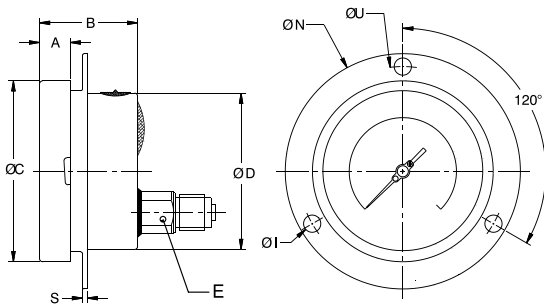
# GTG40/45 Series (4"/100mm & 4.5"/115mm)

316 Stainless Steel Panel Mount Pressure Gauges  
1/4" NPT Back Mount



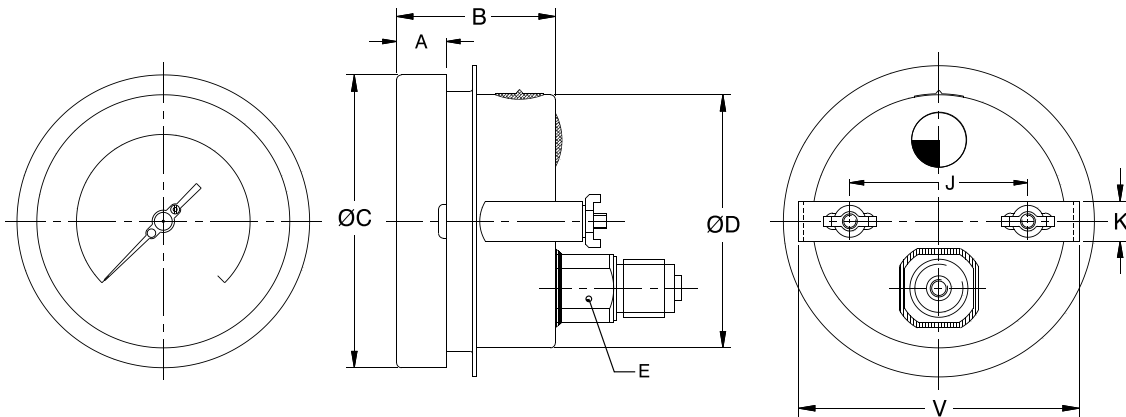
## ► Dimensions (Drawings are not to scale. Dimensions in millimeters.)

Type E



NS	A	B	ØC	ØD	E	S	ØL	ØN	ØU
100	12.5	48	110	100	22	1	6	134	118
115	11	48	131	119	22	4	6	152	138

Type B



NS	A	B	ØC	ØD	E	J	K	V
100	12.5	48	110	100	22	66.5	16	106
115	11	48	131	119	22	80	16	129.5