

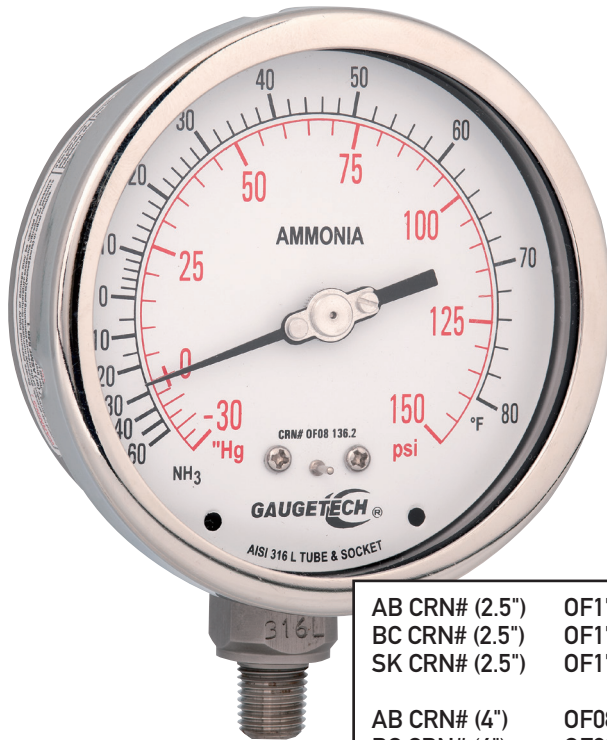
GTG2518 Series (2.5"/63mm) GTG40 Series (4"/100mm)



AMMONIA Stainless Steel Pressure Gauges
1/4"NPT Bottom Mount

► Applications

Designed for refrigeration ammonia, Gaugetech® ammonia pressure gauges feature 316 stainless steel wetted parts and a 304 stainless steel case. These gauges are factory liquid filled for vibration service and are available in 2 1/2" and 4" sizes in various mounting configurations.

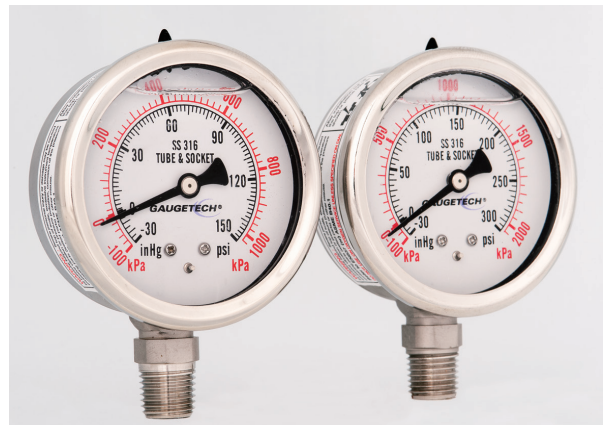


| | |
|----------------|------------|
| AB CRN# (2.5") | OF17866.2 |
| BC CRN# (2.5") | OF17866.21 |
| SK CRN# (2.5") | OF17866.23 |
| AB CRN# (4") | OF08136.2 |
| BC CRN# (4") | OF08136.21 |
| SK CRN# (4") | OF08136.23 |

► Specifications

| | |
|------------------|---|
| Accuracy - 100mm | ±1.0% of full scale ASME B40.1 Grade 1A |
| Accuracy - 63mm | ASME B40.1, Grade B, ±3-2-3% |
| Case | AISI 304 SS |
| Ring | AISI 304 SS |
| Bourdon Tube | AISI 316L SS |
| Socket | AISI 316L SS (directly welded to case) |
| Movement | AISI 304 SS |
| Window | Plexiglas |
| Fill | Glycerine/H ₂ O -40°C (standard) |
| Connection | 1/4" NPT (standard) |

For full specifications, refer to pages 38 and 42



► How to order

GTG2518 (2.5"/63mm)

Bottom Mount: GTG2518A + Range Code
Center Back Mount: GTG2518D + Range Code

Panel Mount Accessories: GTFF-2.5: Front Flange
GTUC-2.5: U-Clamp

GTG40 (4"/100mm)

Bottom Mount Outlet Plain Case: GTG4014 + Range Code
Bottom Outlet with Back Flange Wall Mount: GTG4014 + Range Code + FLNG4
Rear Outlet with Back Flange Wall Mount: GTG4018B + Range Code + FLNG4**
Rear Outlet Plain Case or U-Clamp Panel: GTG4018B + Range Code
Rear Outlet Front Flange Panel: GTG4018B + Range Code + GTFF-4

| Range Code | |
|------------|------------------------------|
| 06 | 30"Hg-150 psi/kPa/NH3 |
| 08 | 30"Hg-300 psi/kPa/NH3 |

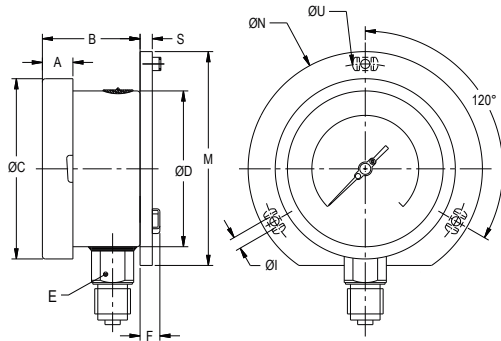
Ranges shown in bold are typically stocked in our warehouse. **Not shown in drawings

GTG2518 Series (2.5"/63mm) GTG40 Series (4"/100mm)

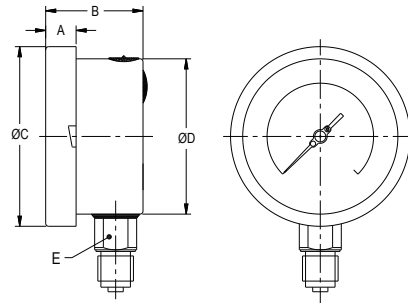


AMMONIA Stainless Steel Pressure Gauges
1/4"NPT Bottom Mount

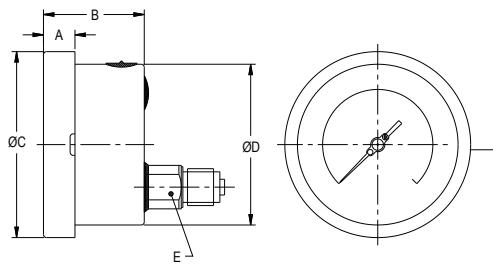
► Dimensions (Drawings are not to scale. Dimensions in millimeters.)



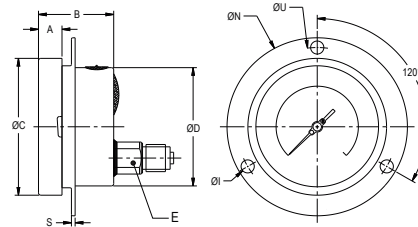
| NS | A | B | ØC | ØD | E | M | S | F | ØI | ØN | ØU |
|-----|------|----|-----|-----|----|-----|---|------|----|-----|-----|
| 100 | 12.5 | 45 | 111 | 100 | 22 | 128 | 6 | 14.5 | 6 | 134 | 118 |



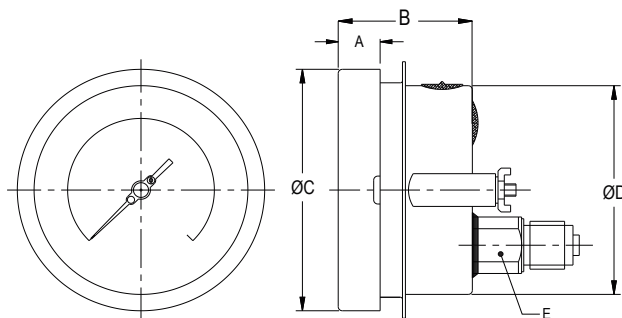
| NS | A | B | ØC | ØD | E |
|-----|------|----|-----|-----|----|
| 100 | 12.5 | 47 | 111 | 100 | 22 |



| NS | A | B | ØC | ØD | E |
|-----|------|----|-----|-----|----|
| 100 | 12.5 | 47 | 111 | 100 | 22 |



| NS | A | B | ØC | ØD | E | S | ØI | ØN | ØU |
|-----|------|----|-----|-----|----|---|----|-----|-----|
| 100 | 12.5 | 45 | 111 | 100 | 22 | 1 | 6 | 134 | 118 |



| NS | A | B | ØC | ØD | E | J | K | V |
|-----|------|----|-----|-----|----|----|----|-----|
| 100 | 12.5 | 47 | 111 | 100 | 22 | 72 | 16 | 108 |

For 2.5/63mm drawings,
please refer to page 39.