

GTG2510 Series (2.5"/63mm)

Brass Internal Pressure Gauges
1/4"NPT Bottom or Center Back Mount



► Applications

Chemical and petrochemical industries, conventional and nuclear power plants, pumps, hydro-cleaning machines, presses, engine compressors, turbines, diesel engines and refrigerating plants, food and beverage, pharmaceutical industries. For measuring water, oil, gas or any medium not corrosive to brass or phosphor bronze.



AB CRN# OF17866.2
BC CRN# OF17866.21
SK CRN# OF17866.23

► Specifications

Accuracy	ASME B40.1, Grade B, ±3-2-3%
Ambient temperature	-40°C to +65°C
Process temperature	Max 100°C (Dry) Max 65°C (Filled)
Operating pressure	75% of the scale value
Over pressure limit	25% of full scale value
Case	AISI 304 SS
Ring	AISI 304 SS, crimped ring
Bourdon Tube	Phosphor Bronze
Socket	Brass
Movement	Phosphor Bronze
Dial	Aluminum, black & red graduation on white background
Pointer	Aluminum, black
Window	Plexiglas
Fill	Glycerine/H ₂ O -40°C (standard) Silicone (optional)
Gaskets/Vent/Blow Out Plugs	Neoprene
Standard Scale	psi/kPa (standard), special dials & scales available
Connection	1/4" NPT (standard)

► How to order

Bottom Mount: GTG2510A + Range Code
Center Back Mount: GTG2510D + Range Code

Panel Mount Accessories: GTFF-2.5: Front Flange 304SS
GTUC-2.5: U-Clamp

Range Code		Range Code		Range Code		Range Code	
01	30" Hg - 0	08	30" Hg-300 psi/kPa	15	0-300 psi/kPa	22	0-2000 psi/kPa
02	30" Hg-15 psi/kPa	09	0-15 psi/kPa	16	0-400 psi/kPa	23	0-3000 psi/kPa
03	30" Hg-30 psi/kPa	10	0-30 psi/kPa	17	0-500 psi/kPa	24	0-4000 psi/kPa
04	30" Hg-60 psi/kPa	11	0-60 psi/kPa	18	0-600 psi/kPa	25	0-5000 psi/kPa
05	30" Hg-100 psi/kPa	12	0-100 psi/kPa	19	0-800 psi/kPa	26	0-6000 psi/kPa
06	30" Hg-150 psi/kPa	13	0-160 psi/kPa	20	0-1000 psi/kPa	27	0-10,000 psi/kPa
07	30" Hg-200 psi/kPa	14	0-200 psi/kPa	21	0-1500 psi/kPa		

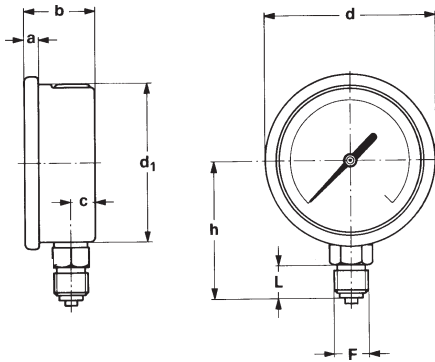
Ranges shown in bold are typically stocked in our warehouse.

GTG2510 Series (2.5"/63mm)

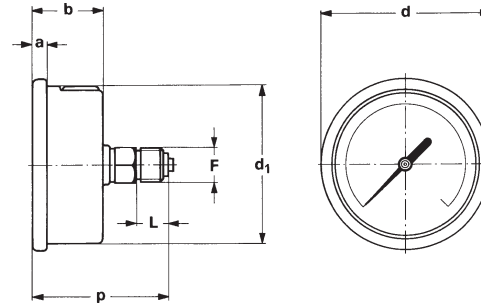
Brass Internal Pressure Gauges
1/4"NPT Bottom or Center Back Mount



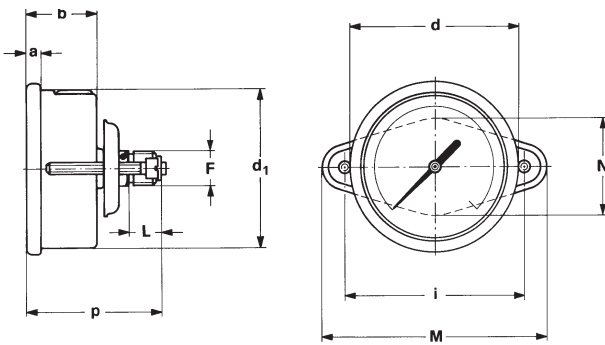
► Dimensions (Drawings are not to scale. Dimensions in millimeters.)



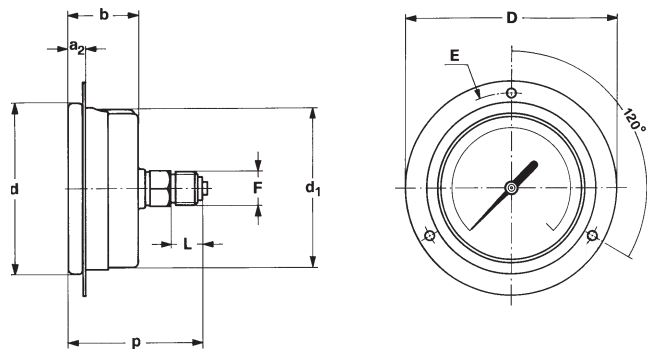
Lower Connection



Flush Mounting Back Connection



Flush Mounting, "U-Clamp" Back Connection



Flush Mounting, Front Flange Back Connection

NS	A	A ₂	b	c	d	d ₁	E	F	I	L	M	N	P
63	6	7	30	9	68	61	75	13	71	12	90	38	56

► Accessories



Flange: GTFF-2.5



U-Clamp: GTUC-2.5