

# GTH Series Needle Valves

Hex stock, hard seat  
6,000 and 10,000 psi



## ► Overview

The GTH series are machined from hexagonal bar stock and supplied in 316 stainless steel and carbon steel with nickel zinc plate. GTH series are produced in 1/4", 1/2" and 3/4" NPT with male-female and female-female threaded connections. The GTH series are designed with a metal seat for severe working conditions.



## ► Features

- Non-rotating stem plug moves axially into and out of the seat without rotation to eliminate seat galling.
- The stem threads are rolled and lubricated to prevent galling and reduce operating torque.
- Valves are assembled with standard T-bar handles.
- All bonnets are assembled with a locking pin to prevent accidental removal while in service.
- Teflon® packing can be adjusted to increase valve life.
- Stem packing below the threads prevents lubricant washout and ensures no process contamination.
- The valves feature safety back seating to ensure a secondary stem seal.
- Dust caps are fitted to contain stem lubricant and prevent the ingress of contaminants.
- All valves are hydrostatically tested to 1.5 times maximum working pressure prior to shipment.
- The valves are Mill Test traceable.
- 316SS material traceable to NACE MR0175

AB CRN# OC08236.2  
BC CRN# OC08236.21  
SK CRN# OC08236.23

## ► How to order

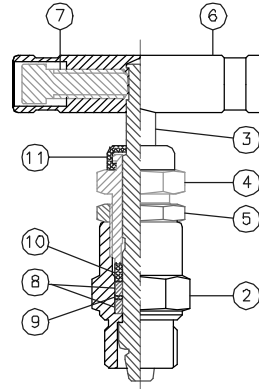
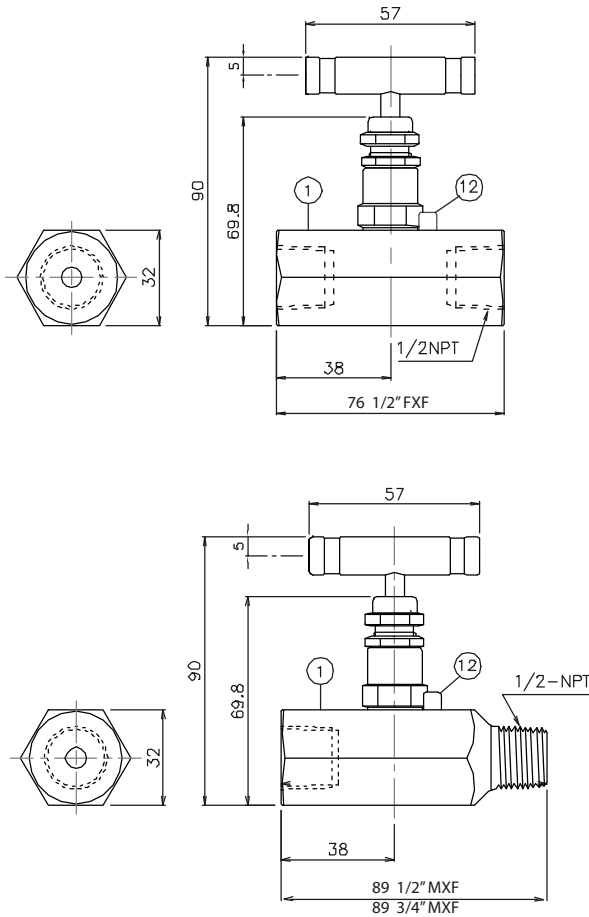
Part Number	Connections		Material	Orifice Size (mm)
	Inlet	Outlet		
GTH12MFSS	1/2" MNPT	1/2" FNPT	316SS	5
GTH12FFSS	1/2" FNPT	1/2" FNPT	316SS	5
GTH3412MFSS	3/4" MNPT	1/2" FNPT	316SS	5
GTH14MFSS10	1/4" MNPT	1/4" FNPT	316SS	5
GTH14FFSS10	1/4" FNPT	1/4" FNPT	316SS	5
GTH12MFSS10	1/2" MNPT	1/2" FNPT	316SS	5
GTH12FFSS10	1/2" FNPT	1/2" FNPT	316SS	5
GTH3412MFSS10	3/4" MNPT	1/2" FNPT	316SS	5
GTH12MFC	1/2" MNPT	1/2" FNPT	A108 carbon steel	5
GTH12FFC	1/2" FNPT	1/2" FNPT	A108 carbon steel	5
GTH12MFC10	1/2" MNPT	1/2" FNPT	A108 carbon steel	5
GTH12FFC10	1/2" FNPT	1/2" FNPT	A108 carbon steel	5
GTH3412MFC10	3/4" MNPT	1/2" FNPT	A108 carbon steel	5

# GTH Series Needle Valves

Hex stock, hard seat  
6,000 and 10,000 psi

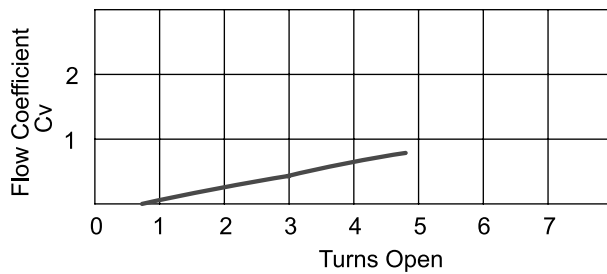


## ► Dimensions (Drawings shown for GTH12 series. For other GTH series drawings, please consult our sales desk.)



No.	Description	316SS	A108 carbon steel
1	Body	S316	A108 carbon steel
2	Bonnet	S316	A108 carbon steel
3	Stem	S316	S316
4	Adjuster	S316	A108 carbon steel
5	Lock Nut	S316	A108 carbon steel
6	Handle	S303	A108 carbon steel
7	Fixing Screw	S302	A108 carbon steel
8	Packing	Teflon®	Teflon®
9	Washer	S316	A108 carbon steel
10	Pusher	S316	A108 carbon steel
11	Dust Cap	NBR	NBR
12	Lock Pin	S303	A108 carbon steel

## ► Flow Characteristics



Drawings are not to scale.  
Dimensions in millimeters.

## ► Pressure vs Temperature

