

GTH Series Needle Valves

Hex stock, soft seat
6,000 psi



► Overview

The GTH series are machined from hexagonal Bar stock and supplied in 316 stainless steel and carbon steel with yellow zinc plate. GTH series are produced in 1/2", 3/4" and 1" NPT with male-female and female-female threaded connections. The GTH soft seat series are designed with a Delrin® seat to ensure a tight shut off even in abrasive process conditions.



► Features

- ▶ Delrin® soft seat standard.
- ▶ Rodable straight thru process to instrument orifices.
- ▶ The stem threads are rolled and lubricated to prevent galling and reduce operating torque.
- ▶ Valves are assembled with standard T-bar handles.
- ▶ All bonnets are assembled with a locking pin to prevent accidental removal while in service.
- ▶ Teflon® packing can be adjusted to increase valve life.
- ▶ Stem packing below the threads prevents lubricant washout and ensures no process contamination.
- ▶ The valves feature safety back seating to ensure a secondary stem seal.
- ▶ Dust caps are fitted to contain stem lubricant and prevent the ingress of contaminants.
- ▶ All valves are hydrostatically tested to 1.5 times maximum working pressure prior to shipment.
- ▶ The valves are Mill Test Traceable.
- ▶ 316SS material traceable to NACE MR0175

AB CRN# OC08236.2
BC CRN# OC08236.21
SK CRN# OC08236.23

► How to order

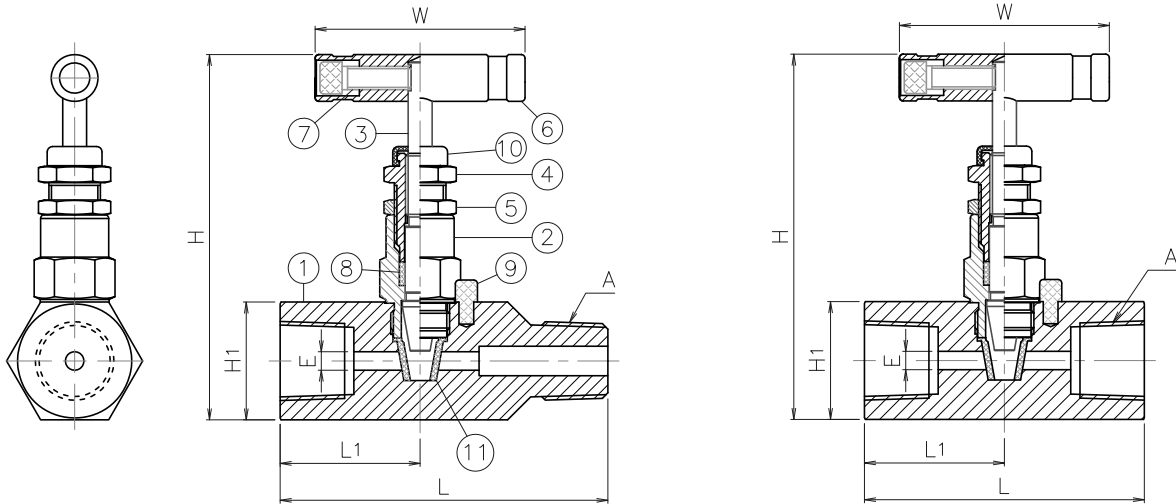
Part Number	Connections		Material	Orifice Size (mm)
	Inlet	Outlet		
GTH12MFSSD	1/2" MNPT	1/2" FNPT	316SS	5
GTH12FFSSD	1/2" FNPT	1/2" FNPT	316SS	5
GTH12MFCD	1/2" MNPT	1/2" FNPT	A108 carbon steel	5
GTH12FFCD	1/2" FNPT	1/2" FNPT	A108 carbon steel	5
GTH34MFSSD	3/4" MNPT	3/4" FNPT	316SS	6
GTH34FFSSD	3/4" FNPT	3/4" FNPT	316SS	6
GTH34MFCD	3/4" MNPT	3/4" FNPT	A108 carbon steel	6
GTH34FFCD	3/4" FNPT	3/4" FNPT	A108 carbon steel	6
GTH10MFSSD	1" MNPT	1" FNPT	316SS	7
GTH10FFSSD	1" FNPT	1" FNPT	316SS	7
GTH10MFCD	1" MNPT	1" FNPT	A108 carbon steel	7
GTH10FFCD	1" FNPT	1" FNPT	A108 carbon steel	7

GTH Series Needle Valves

Hex stock, soft seat
6,000 psi



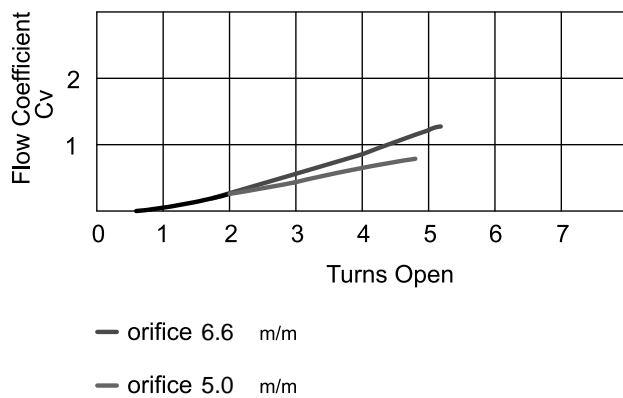
► Dimensions (Drawings are not to scale. Dimensions in millimeters.)



No.	Description	316SS	C.S. Valve
1	Body	S316	C.S
2	Bonnet	S316	C.S
3	Stem	S316	S316
4	Adjuster	S316	C.S
5	Lock Nut	S316	C.S
6	Handle	S303	C.S
7	Fixing Screw	S302	C.S
8	Packing	Teflon®	Teflon®
9	Locking Pin	S303	S303
10	Dust Cap	NBR	NBR
11	Soft Seat	Delrin®	Delrin®

Model	Dim.	A	L	L1	H	H1	E	W
GTH12MF	1/2" NPT	89	38	94	32	5	57	
GTH12FF	1/2" NPT	76	38	94	32	5	57	
GTH34MF	3/4" NPT	89	38	96	35	6	57	
GTH34FF	3/4" NPT	76	38	96	35	6	57	
GTH10MF	1" NPT	94	42.5	101	41	7	57	
GTH10FF	1" NPT	85	42.5	101	41	7	57	

► Flow Characteristics



► Pressure vs Temperature

