

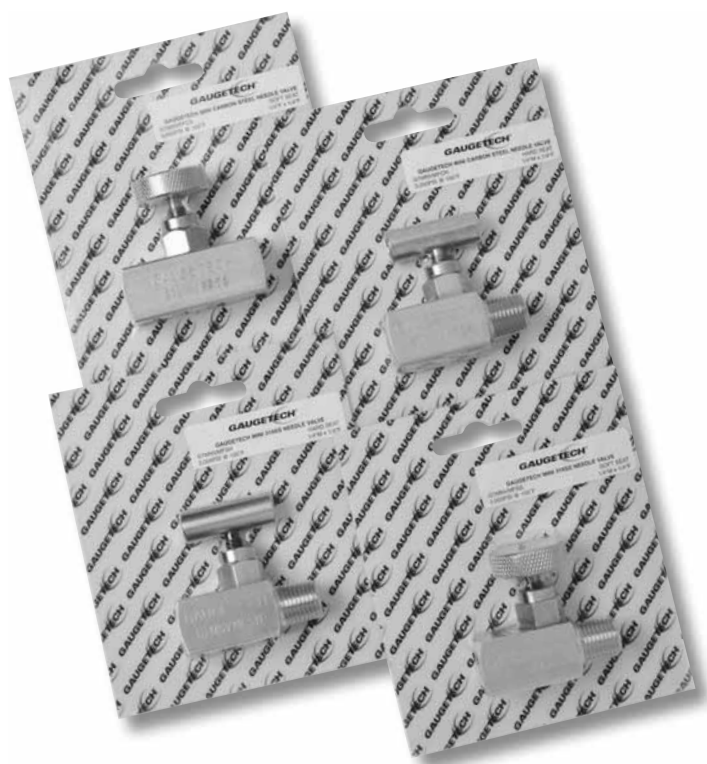
Mini Needle Valves

Bar stock, hard and soft seat
3,000 psi



► Overview

Gaugetech® mini bar stock construction needle valves are intended to provide an economical solution in situations where full size 1/4" valves would be restricted. Valves are available in 316 stainless steel and carbon steel with nickel zinc plate. With your choice of hard or soft seats, Gaugetech® Mini Valves are produced in 1/4" NPT male-female and female-female threaded connections.



► Features

- The stem threads are rolled and lubricated to prevent galling and reduce operating torque.
- Low torque operating T-bar handle on hard seat.
- Smooth operating knurled round handle on soft seat.
- All valves are hydrostatically tested to 1.5 times maximum working pressure (4500 psi) prior to shipment.
- The valves are Mill Test traceable.
- Valves are skin packaged for distributor display.
- 316SS material traceable to NACE MR0175

AB CRN# OC08236.2
BC CRN# OC08236.21
SK CRN# OC08236.23

► How to order

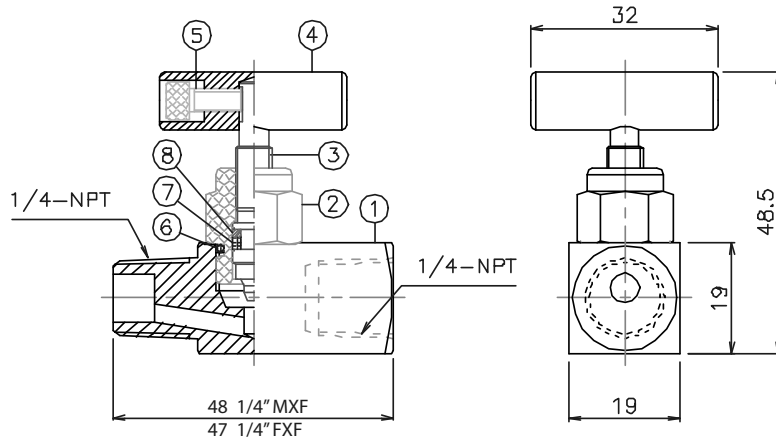
Part Number	Connections		Seat	Material	Orifice Size (mm)
	Inlet	Outlet			
GTMNVMFCH	1/4" MNPT	1/4" FNPT	Hard	A108 carbon steel	3
GTMNVFFCH	1/4" FNPT	1/4" FNPT	Hard	A108 carbon steel	3
GTMNVMFSH	1/4" MNPT	1/4" FNPT	Hard	316SS	3
GTMNVFFSH	1/4" FNPT	1/4" FNPT	Hard	316SS	3
GTMNVMFCS	1/4" MNPT	1/4" FNPT	Soft	A108 carbon steel	3
GTMNVFFCS	1/4" FNPT	1/4" FNPT	Soft	A108 carbon steel	3
GTMNVMFSS	1/4" MNPT	1/4" FNPT	Soft	316SS	3
GTMNVFFSS	1/4" FNPT	1/4" FNPT	Soft	316SS	3

Mini Needle Valves

Bar stock, hard and soft seat
3,000 psi

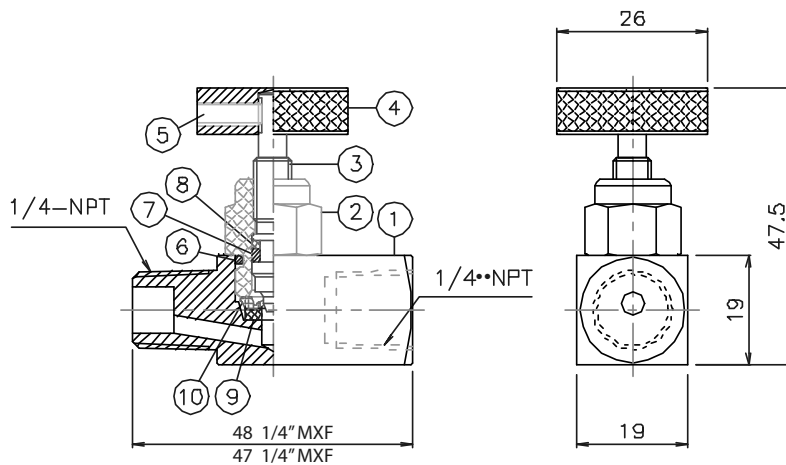


► Dimensions (Drawings are not to scale. Dimensions in millimeters.)



HARD SEAT

No.	Description	316SS	A108 Carbon Steel
1	Body	S316	A108
2	Bonnet	S316	A108
3	Stem	S316	S316
4	Handle	S303	A108
5	Fixing Screw	S302	A108
6	O-ring	Viton®	Viton®
7	O-ring	Viton®	Viton®
8	Back-up ring	Teflon®	Teflon®

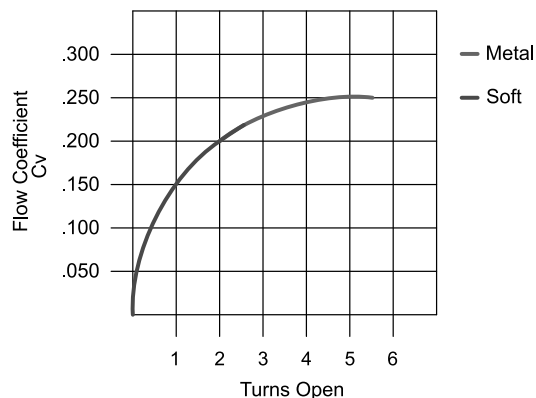


SOFT SEAT

No.	Description	316SS	A108 Carbon Steel
1	Body	S316	A108
2	Bonnet	S316	A108
3	Stem	S316	S316
4	Handle	S303	C.S
5	Fixing Screw	S302	A108
6	O-ring	Viton®	Viton®
7	O-ring	Viton®	Viton®
8	Back-up ring	Teflon®	Teflon®
9	Washer	S316	S316
10	Soft Seat	Delrin®	Delrin®

► Flow Characteristics

(Mini-Valves and GTMVFFCS90)



► Pressure vs Temperature

(Mini-Valves and GTMVFFCS90)

