

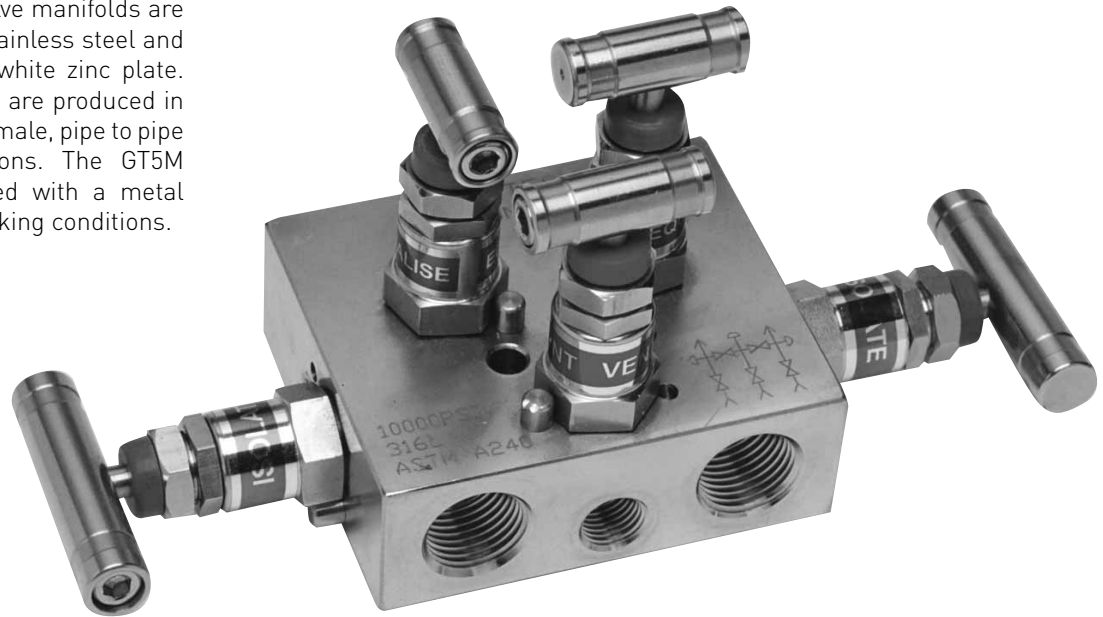
## GT5M 5 Valve Manifold

Hard seat, pipe to pipe  
10,000 psi



### ► Overview

Gaugetech® five valve manifolds are supplied in 316L stainless steel and carbon steel with white zinc plate. GT5M series valves are produced in 1/2" NPT female-female, pipe to pipe threaded connections. The GT5M series are designed with a metal seat for severe working conditions.



### ► Features

- ▶ Non-rotating stem plug moves axially into and out of the seat without rotation to eliminate seat galling.
- ▶ The stem threads are rolled and lubricated to prevent galling and reduce operating torque.
- ▶ Valves are assembled with standard T-bar handles.
- ▶ All bonnets are assembled with a locking pin to prevent accidental removal while in service.
- ▶ Teflon® packing can be adjusted to increase valve life.
- ▶ Stem packing below the threads prevents lubricant washout and ensures no process contamination.
- ▶ The valves feature safety back seating to ensure a secondary stem seal.
- ▶ Dust caps are fitted to contain stem lubricant and prevent the ingress of contaminants.
- ▶ All valves are hydrostatically tested to 1.5 times maximum working pressure prior to shipment.
- ▶ The valves are Mill Test Traceable.
- ▶ Standard valve on manifold has a 4.8mm orifice size. Cv 0.52 MAX
- ▶ 316SS material traceable to NACE MR0175

**AB CRN# OC08236.2**  
**BC CRN# OC08236.21**  
**SK CRN# OC08236.23**

### ► How to order

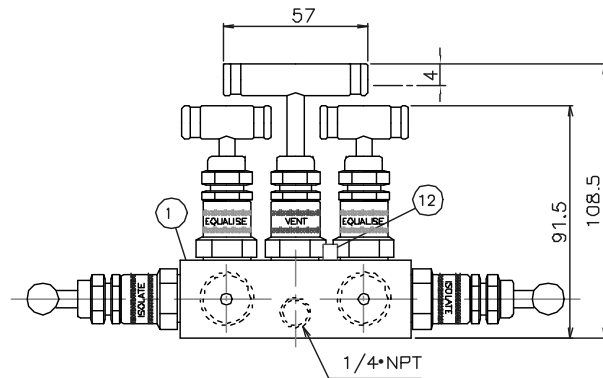
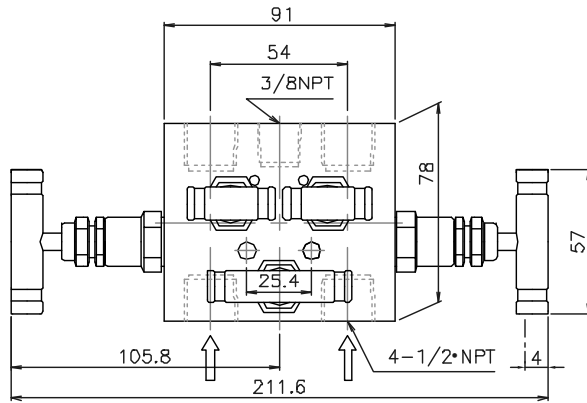
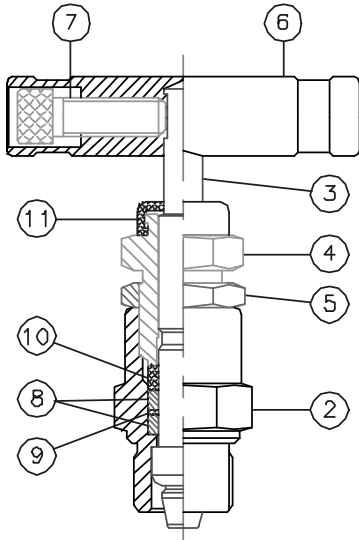
Part Number	Connections		Seat	Material
	Inlet	Outlet		
GT5MSSNRT	1/2" FNPT	1/2" FNPT	Hard	316SS
GT5MCSNRT	1/2" FNPT	1/2" FNPT	Hard	A108 carbon steel

# GT5M 5 Valve Manifold

Hard seat, pipe to pipe  
10,000 psi



## ► Dimensions (Drawings are not to scale. Dimensions in millimeters.)



HARD SEAT

No.	Description	SS	A108 Carbon Steel
1	Body	S316	A108
2	Bonnet	S316	A108
3	Stem	S316	S316
4	Adjuster	S316	A108
5	Lock Nut	S316	A108
6	Handle	S303	A108
7	Fixing Screw	S302	A108
8	Packing	Teflon®	Teflon®
9	Washer	S316	A108
10	Pusher	S316	A108
11	Dust cap	NBR	NBR
12	Lock pin	S303	A108

## ► Pressure vs Temperature

Hard Seat

