

# GTHSPM 2 Valve Calibration Manifold



Soft seat, pipe to pipe  
3,000 psi, 316SS and A108 Carbon Steel

## Overview

Gaugetech® two valve manifolds are supplied in 316L stainless steel are produced in 1/2" NPT female-female, pipe to pipe threaded connections.

GTH soft seat series valves are designed with a Delrin® seat to ensure a tight shut off even in abrasive process conditions.



## Features

- ▶ Delrin® soft seat standard.
- ▶ The stem threads are rolled and lubricated to prevent galling and reduce operating torque.
- ▶ Valves are assembled with standard T-bar handles.
- ▶ All bonnets are assembled with a locking pin to prevent accidental removal while in service.
- ▶ Teflon® packing can be adjusted to increase valve life.
- ▶ Stem packing below the threads prevents lubricant washout and ensures no process contamination.
- ▶ The valves feature safety back seating to ensure a secondary stem seal.
- ▶ Dust caps are fitted to contain stem lubricant and prevent the ingress of contaminants.
- ▶ All valves are hydrostatically tested to 1.5 times maximum working pressure prior to shipment.
- ▶ The valves are Mill Test Traceable.
- ▶ Standard valve on manifold has a 4.8mm orifice size. Cv 0.52 MAX
- ▶ 316SS material traceable to NACE MR0175

**AB CRN# OC08236.2**  
**BC CRN# OC08236.21**  
**SK CRN# OC08236.23**

## How to order

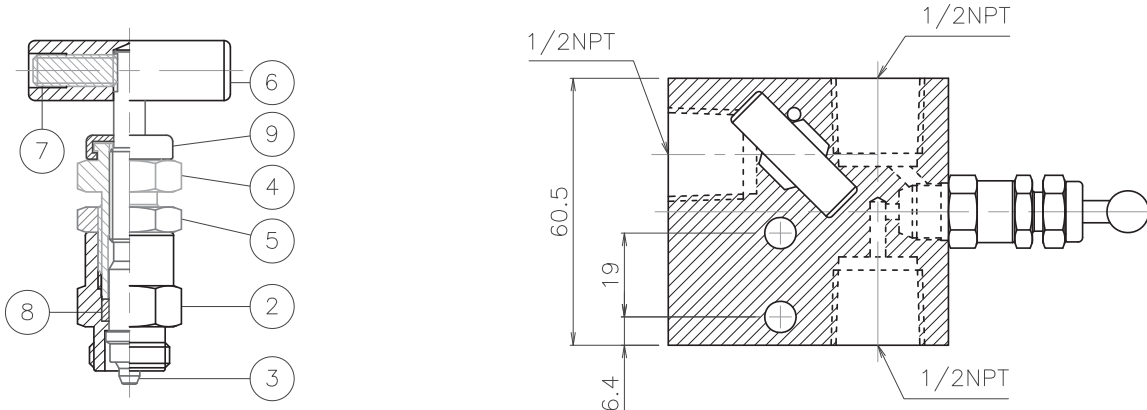
| Part Number | Connections |           | Seat | Material |
|-------------|-------------|-----------|------|----------|
|             | Inlet       | Outlet    |      |          |
| GTHSPM12SSD | 1/2" FNPT   | 1/2" FNPT | Soft | 316SS    |
| GTHSPM12CD  | 1/2" FNPT   | 1/2" FNPT | Soft | A108     |

# GTHSPM 2 Valve Calibration Manifold

Soft seat, pipe to pipe  
3,000 psi, 316SS and A108 Carbon Steel

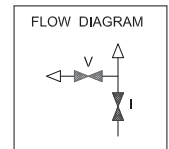
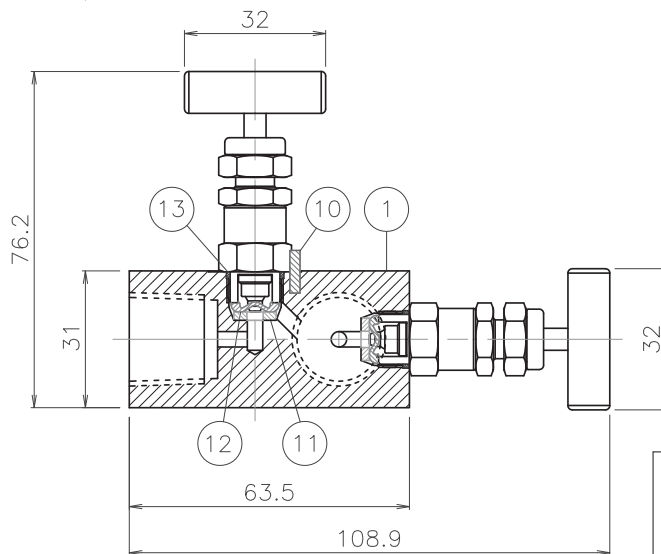


## ► Dimensions (Drawings are not to scale. Dimensions in millimeters.)



SOFT SEAT

| No. | Description  | Stainless Steel | A108 Carbon Steel |
|-----|--------------|-----------------|-------------------|
| 1   | Body         | S316L           | A108              |
| 2   | Bonnet       | S316            | A108              |
| 3   | Stem         | S316            | A108              |
| 4   | Adjuster     | S316            | A108              |
| 5   | Lock Nut     | S316            | A108              |
| 6   | Handle       | S303            | A108              |
| 7   | Fixing Screw | S302            | A108              |
| 8   | Packing      | Teflon®         | Teflon®           |
| 9   | Dust cap     | NBR             | NBR               |
| 10  | Locking pin  | S304            | A108              |
| 11  | Soft seat    | Delrin®         | Delrin®           |
| 12  | Washer       | S316            | A108              |
| 13  | O-ring       | Aflas®          | Aflas®            |



## ► Pressure vs Temperature

Mini Soft Seat

