

## Double Block & Bleed Valve

Hard seat, 316SS, 1/2" NPT  
10,000 psi



### ► Overview

Gaugetech® Double Block & Bleed Valves are supplied in 316L stainless steel.

GTHDBB series valves are produced with a 1/2" MNPT process connection and with female 1/2" NPT instrument connection.

GTHDBB series valves are designed with a metal seat for severe working conditions.

All double block & bleed valves come standard with a 1/4" NPT side drain port.



### ► Features

- Non-rotating stem plug moves axially into and out of the seat without rotation to eliminate seat galling.
- The stem threads are rolled and lubricated to prevent galling and reduce operating torque.
- Valves are assembled with standard t-bar handles.
- All bonnets are assembled with a locking pin to prevent accidental removal while in service.
- Teflon® packing can be adjusted to increase valve life.
- Stem packing below the threads prevents lubricant washout and ensures no process contamination.
- The valves feature safety back seating to ensure a secondary stem seal.
- Dust caps are fitted to contain stem lubricant and prevent the ingress of contaminants.
- All valves are hydrostatically tested to 1.5 times maximum working pressure prior to shipment.
- The valves are Mill Test Traceable.
- 316SS material traceable to NACE MR0175

AB CRN# OC08236.2  
BC CRN# OC08236.21  
SK CRN# OC08236.23

### ► How to order

Part Number	Connections		Seat	Material
	Inlet	Ports		
GTHDBB12MFSS10	1/2" MNPT	1/2" FNPT	Hard	316SS
GTHDBB12FFSS10	1/2" FNPT	1/2" FNPT	Hard	316SS

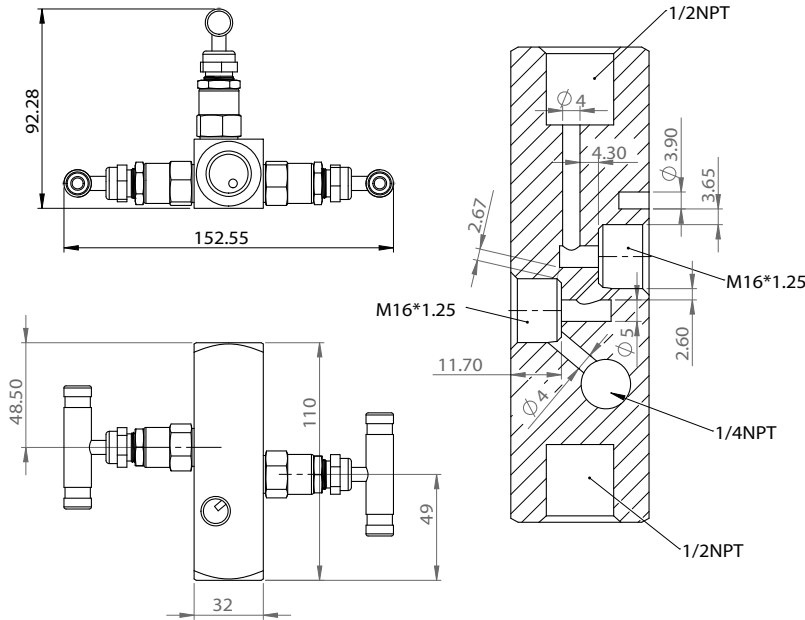
# Double Block & Bleed Valve

Hard seat, 316SS, 1/2" NPT  
10,000 psi



## ► Dimensions (Drawings are not to scale. Dimensions in millimeters.)

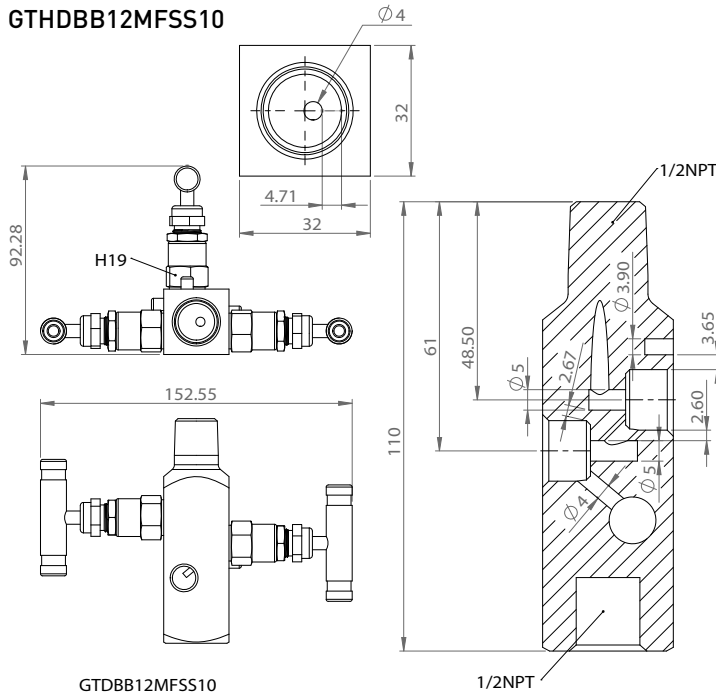
### GTHDBB12FFSS10



#### HARD SEAT

Description	SS
Body	S316
Bonnet	S316
Stem	S316
Adjuster	S316
Lock Nut	S316
Handle	S303
Fixing Screw	S302
Packing	Teflon®
Washer	S316
Pusher	S316
Dust cap	NBR
Locking pin	S303

### GTHDBB12MFSS10



## ► Pressure vs Temperature

Hard Seat

