

GTHAG18 Series 2.5"/63mm

High Accuracy Stainless Steel Pressure Gauges
1/4"NPT Bottom or Center Back Mount



► Applications

Gaugetech GTHAG 2.5" Dial 316SS pressure gauges are used where high accuracy is required in a small dial size. These 1% accuracy gauges can be used in chemical and petrochemical industries, conventional and nuclear power plants, pumps hydro-cleaning machines, presses, engine compressors, turbines, diesel engines and refrigerating plants, food and beverage, pharmaceutical industries.



AB CRN# OF17866.2
BC CRN# OF17866.21
SK CRN# OF17866.23

► Specifications

Accuracy	±1.0% of full scale ASME B40.1 Grade 1A
Ambient temperature	-40°C to +65°C
Process temperature	Max 100°C (Dry) Max 65°C (Filled)
Operating pressure	75% of the scale value
Over pressure limit	25% of full scale value
Case	AISI 304 SS
Ring	AISI 304 SS, bayonet lock
Bourdon Tube	AISI 316 SS
Socket	AISI 316 SS
Movement	AISI 304 SS
Dial	Aluminum, black & red graduation on white background
Pointer	Aluminum, black
Window	Safety glass
Fill	Glycerine/H ₂ O -40°C (standard) Silicone (optional)
Gaskets/Vent/ Blow Out Plugs	Viton
Standard Scale	psi/kPa (standard), special dials & scales available
Connection	1/4" NPT (standard)
Options	Certifiable to 1% NIST traceability Oxygen Cleaned (dry case only)

► How to order

Bottom Mount: GTHAG18A + Range Code
Center Back Mount: GTHAG18D + Range Code

Panel Mount Accessories: GTHAFF-2.5: Front Flange 304SS
GTUC-2.5: U-Clamp

Range Code		Range Code		Range Code		Range Code	
01	30" Hg - 0	08	30" Hg-300 psi/kPa	15	0-300 psi/kPa	22	0-2000 psi/kPa
02	30" Hg-15 psi/kPa	09	0-15 psi/kPa	16	0-400 psi/kPa	23	0-3000 psi/kPa
03	30" Hg-30 psi/kPa	10	0-30 psi/kPa	17	0-500 psi/kPa	24	0-4000 psi/kPa
04	30" Hg-60 psi/kPa	11	0-60 psi/kPa	18	0-600 psi/kPa	25	0-5000 psi/kPa
05	30" Hg-100 psi/kPa	12	0-100 psi/kPa	19	0-800 psi/kPa	26	0-6000 psi/kPa
06	30" Hg-150 psi/kPa	13	0-160 psi/kPa	20	0-1000 psi/kPa	27	0-10,000 psi/kPa
07	30" Hg-200 psi/kPa	14	0-200 psi/kPa	21	0-1500 psi/kPa		

Ranges shown in bold are typically stocked in our warehouse. Some ranges may be special order.

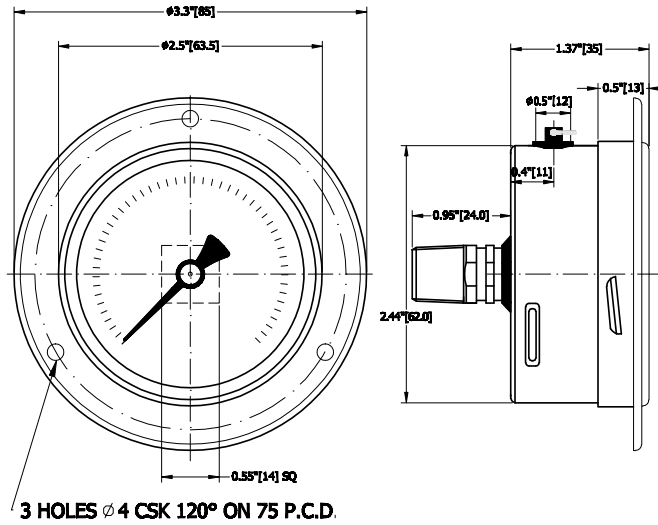
GTHAG18 Series 2.5"/63mm

High Accuracy Stainless Steel Pressure Gauges
1/4" NPT Bottom or Center Back Mount

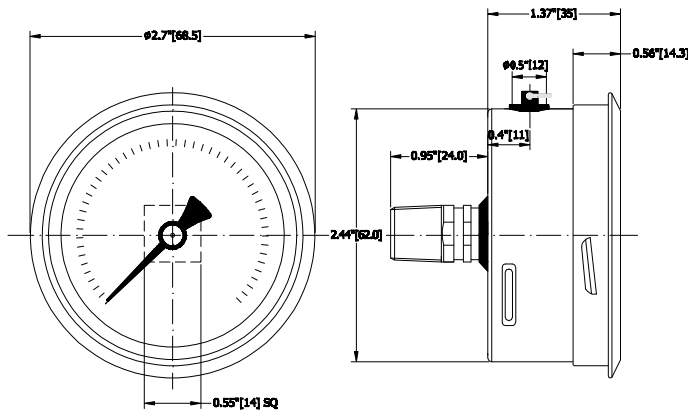


► Dimensions (Drawings are not to scale. Dimensions in millimeters.)

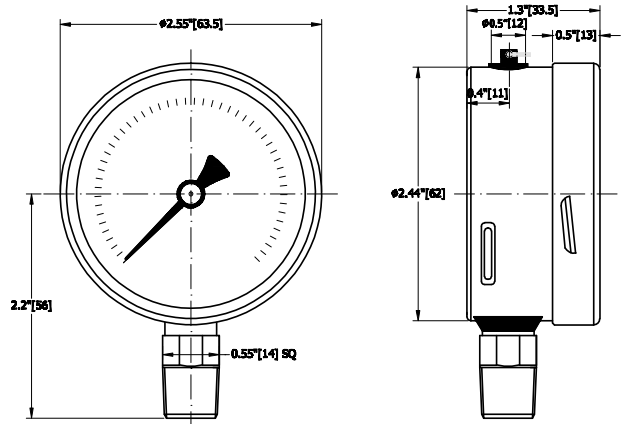
2.5" Center Back Mount
Front Flange



2.5" Center Back Mount with special bezel



2.5" Bottom Mount



► Accessories



U-Clamp: GTUC-2.5 Flange: GTHAFF-2.5