

GTG40 Series (4"/100mm)

Stainless Steel Pressure Gauges
1/2"NPT Bottom Mount



► Applications

Chemical and petrochemical industries, conventional and nuclear power plants, pumps, hydro-cleaning machines, presses, engine compressors, turbines, diesel engines and refrigerating plants, food and beverage, pharmaceutical industries.



| | |
|---------|------------|
| AB CRN# | OF08136.2 |
| BC CRN# | OF08136.21 |
| SK CRN# | OF08136.23 |

► Specifications

| | |
|------------------------------|---|
| Accuracy | ±1.0% of full scale ASME B40.1 Grade 1A |
| Ambient temperature | -40°C to +65°C |
| Process temperature | Max 300°C (Dry) Max 65°C (Filled) |
| Operating pressure | 75% of the scale value |
| Over pressure limit | 25% of full scale value |
| Case | AISI 304 SS |
| Ring | AISI 304 SS, bayonet type |
| Bourdon Tube | AISI 316L SS |
| Socket | AISI 316L SS (directly welded to case) |
| Movement | AISI 304 SS |
| Welding | Tig argon arc welding |
| Protection | IP 55 |
| Dial | Aluminum, black & red graduation on white background |
| Pointer | Aluminum, black colored micrometer zero adjustable |
| Window | Plexiglas |
| Fill | Glycerine/H ₂ O -40°C (standard) Silicone (optional) |
| Gaskets/Vent/ Blow Out Plugs | Neoprene |
| Standard Scale | psi/kPa (standard), special dials & scales available |
| Connection | 1/2" NPT (standard) 1/4" NPT (standard) |
| Options | Certifiable to 1% NIST traceability Oxygen Cleaned (dry case only) |

► How to order

Standard Model Glycerine Filled:
1/2" NPT GTG4012 + Range Code
1/4" NPT GTG4014 + Range Code

| Range Code | | Range Code | | Range Code | | Range Code | |
|------------|---------------------------|------------|---------------------|------------|----------------------|------------|-----------------------|
| 01 | 30" Hg - 0 | 09 | 0-15 psi/kPa | 17 | 0-500 psi/kPa | 25 | 0-5000 psi/kPa |
| 02 | 30" Hg-15 psi/kPa | 10 | 0-30 psi/kPa | 18 | 0-600 psi/kPa | 26 | 0-6000 psi/kPa |
| 03 | 30" Hg-30 psi/kPa | 11 | 0-60 psi/kPa | 19 | 0-800 psi/kPa | 27 | 0-10,000 psi/kPa |
| 04 | 30" Hg-60 psi/kPa | 12 | 0-100 psi/kPa | 20 | 0-1000 psi/kPa | 28 | 0-15,000 psi/kPa |
| 05 | 30" Hg-100 psi/kPa | 13 | 0-160 psi/kPa | 21 | 0-1500 psi/kPa | 29 | 0-20,000 psi/kPa |
| 06 | 30" Hg-150 psi/kPa | 14 | 0-200 psi/kPa | 22 | 0-2000 psi/kPa | | |
| 07 | 30" Hg-200 psi/kPa | 15 | 0-300 psi/kPa | 23 | 0-3000 psi/kPa | | |
| 08 | 30" Hg-300 psi/kPa | 16 | 0-400 psi/kPa | 24 | 0-4000 psi/kPa | | |

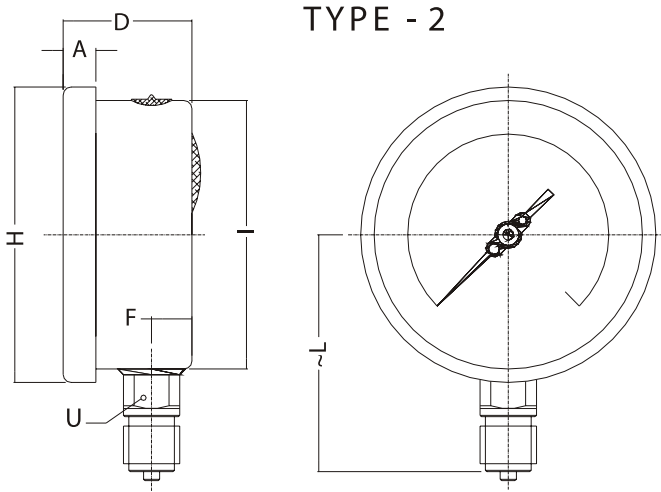
Ranges shown in bold are typically stocked in our warehouse.

GTG40 Series (4"/100mm)

Stainless Steel Pressure Gauges
1/2" NPT Bottom Mount



► Dimensions (Drawings are not to scale. Dimensions in millimeters.)



| NS | A | D | F | H | I | ~L | U | WT(kg) |
|-----|----|----|------|-------|-----|----|----|--------|
| 100 | 12 | 47 | 16.5 | 110.5 | 100 | 90 | 22 | 0.64 |