

GTG45 Series (4.5"/115mm)

Stainless Steel Pressure Gauges
1/2"NPT Bottom Mount



► Applications

Chemical and petrochemical industries, conventional and nuclear power plants, pumps, hydro-cleaning machines, presses, engine compressors, turbines, diesel engines and refrigerating plants, food and beverage, pharmaceutical industries.



► Specifications

Accuracy	±1.0% of full scale ASME B40.1 Grade 1A
Ambient temperature	-40°C to +65°C
Process temperature	Max 300°C (Dry) Max 65°C (Filled)
Operating pressure	75% of the scale value
Over pressure limit	25% of full scale value
Case	AISI 304 SS
Ring	AISI 304 SS, bayonet type
Bourdon Tube	AISI 316L SS
Socket	AISI 316L SS (directly welded to case)
Movement	AISI 304 SS
Welding	Tig argon arc welding
Protection	IP 55
Dial	Aluminum, black & red graduation on white background
Pointer	Aluminum, black colored micrometer zero adjustable
Window	Plexiglas
Fill	Glycerine/H ₂ O -40°C (standard) Silicone (optional)
Gaskets/Vent/Blow Out Plugs	Neoprene
Standard Scale	psi/kPa (standard), special dials & scales available
Connection	1/2" NPT (standard)
Options	Certifiable to 1% NIST traceability Oxygen Cleaned (dry case only)

► How to order

Standard Model Glycerine Filled:
GTG4512 + Range Code

Range Code		Range Code		Range Code		Range Code	
01	30" Hg - 0	09	0-15 psi/kPa	17	0-500 psi/kPa	25	0-5000 psi/kPa
02	30" Hg-15 psi/kPa	10	0-30 psi/kPa	18	0-600 psi/kPa	26	0-6000 psi/kPa
03	30" Hg-30 psi/kPa	11	0-60 psi/kPa	19	0-800 psi/kPa	27	0-10,000 psi/kPa
04	30" Hg-60 psi/kPa	12	0-100 psi/kPa	20	0-1000 psi/kPa	28	0-15,000 psi/kPa
05	30" Hg-100 psi/kPa	13	0-160 psi/kPa	21	0-1500 psi/kPa	29	0-20,000 psi/kPa
06	30" Hg-150 psi/kPa	14	0-200 psi/kPa	22	0-2000 psi/kPa		
07	30" Hg-200 psi/kPa	15	0-300 psi/kPa	23	0-3000 psi/kPa		
08	30" Hg-300 psi/kPa	16	0-400 psi/kPa	24	0-4000 psi/kPa		

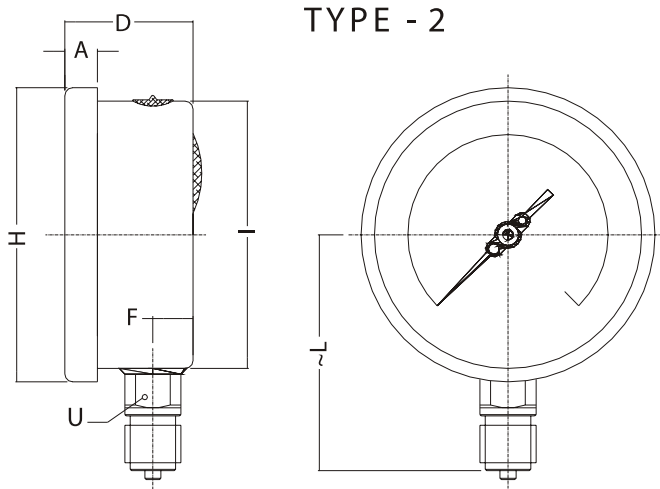
Ranges shown in bold are typically stocked in our warehouse.

GTG45 Series (4.5"/115mm)

Stainless Steel Pressure Gauges
1/2" NPT Bottom Mount



► Dimensions (Drawings are not to scale. Dimensions in millimeters.)



NS	A	D	F	H	I	~L	U	WT(kg)
115	11.5	49	16.5	131	118.5	95	22	0.70