

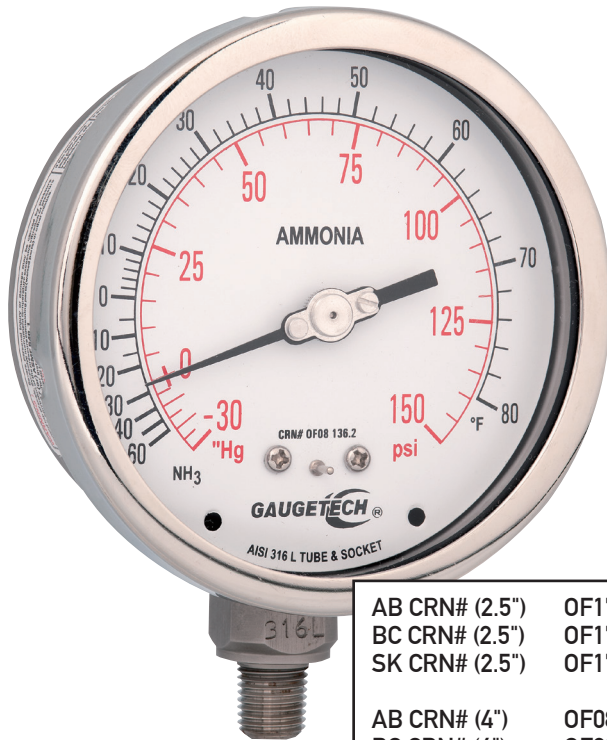
# GTG2518 Series (2.5"/63mm) GTG40 Series (4"/100mm)



**AMMONIA** Stainless Steel Pressure Gauges  
1/4"NPT Bottom Mount

## ► Applications

Designed for refrigeration ammonia, Gaugetech® ammonia pressure gauges feature 316 stainless steel wetted parts and a 304 stainless steel case. These gauges are factory liquid filled for vibration service and are available in 2 1/2" and 4" sizes in various mounting configurations.

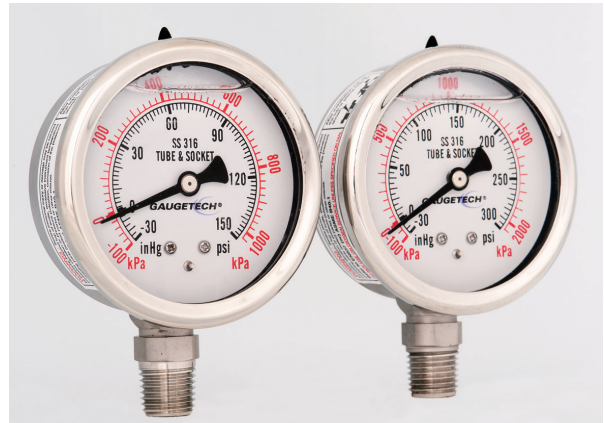


AB CRN# (2.5")	OF17866.2
BC CRN# (2.5")	OF17866.21
SK CRN# (2.5")	OF17866.23
AB CRN# (4")	OF08136.2
BC CRN# (4")	OF08136.21
SK CRN# (4")	OF08136.23

## ► Specifications

Accuracy - 100mm	±1.0% of full scale ASME B40.1 Grade 1A
Accuracy - 63mm	ASME B40.1, Grade B, ±3-2-3%
Case	AISI 304 SS
Ring	AISI 304 SS
Bourdon Tube	AISI 316L SS
Socket	AISI 316L SS (directly welded to case)
Movement	AISI 304 SS
Window	Plexiglas
Fill	Glycerine/H <sub>2</sub> O -40°C (standard)
Connection	1/4" NPT (standard)

For full specifications, refer to pages 38 and 42



## ► How to order

### GTG2518 (2.5"/63mm)

Bottom Mount: GTG2518A + Range Code  
Center Back Mount: GTG2518D + Range Code

**Panel Mount Accessories:** GTFF-2.5: Front Flange  
GTUC-2.5: U-Clamp

### GTG40 (4"/100mm)

Bottom Mount Outlet Plain Case: GTG4014 + Range Code  
Bottom Outlet with Back Flange Wall Mount: GTG4014 + Range Code + FLNG4  
Rear Outlet with Back Flange Wall Mount: GTG4018B + Range Code + FLNG4\*\*  
Rear Outlet Plain Case or U-Clamp Panel: GTG4018B + Range Code  
Rear Outlet Front Flange Panel: GTG4018B + Range Code + GTFF-4

Range Code	
<b>06</b>	<b>30"Hg-150 psi/kPa/NH3</b>
<b>08</b>	<b>30"Hg-300 psi/kPa/NH3</b>

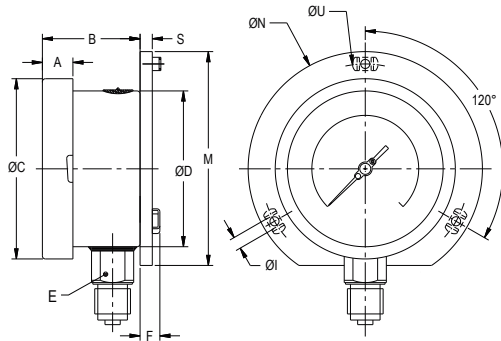
Ranges shown in bold are typically stocked in our warehouse. \*\*Not shown in drawings

# GTG2518 Series (2.5"/63mm) GTG40 Series (4"/100mm)

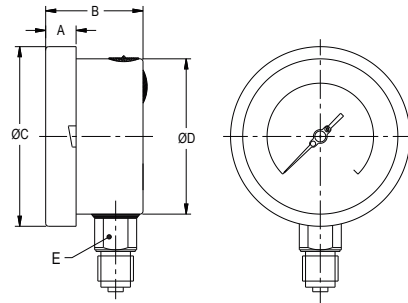


**AMMONIA** Stainless Steel Pressure Gauges  
1/4"NPT Bottom Mount

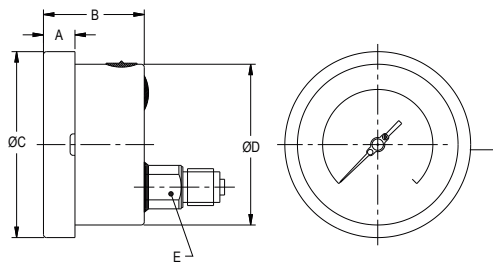
## ► Dimensions (Drawings are not to scale. Dimensions in millimeters.)



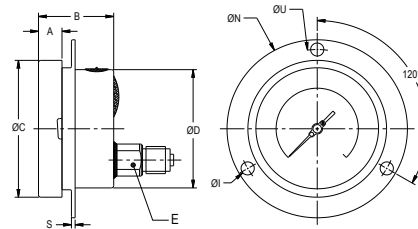
NS	A	B	ØC	ØD	E	M	S	F	ØI	ØN	ØU
100	12.5	45	111	100	22	128	6	14.5	6	134	118



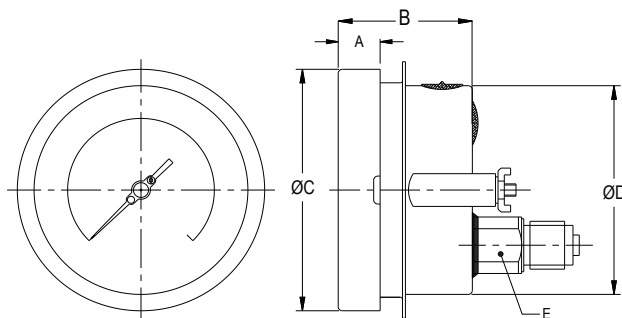
NS	A	B	ØC	ØD	E
100	12.5	47	111	100	22



NS	A	B	ØC	ØD	E
100	12.5	47	111	100	22



NS	A	B	ØC	ØD	E	S	ØI	ØN	ØU
100	12.5	45	111	100	22	1	6	134	118



NS	A	B	ØC	ØD	E	J	K	V
100	12.5	47	111	100	22	72	16	108

For 2.5/63mm drawings,  
please refer to page 39.