

## GTG30 Series (4.5"/115mm)

Solid Front Process Pressure Gauges  
1/2" or 1/4" NPT Bottom Mount



### ► Applications

Chemical and petrochemical industries, conventional and nuclear power plants, pumps, hydro-cleaning machines, presses, engine compressors, turbines, diesel engines and refrigerating plants, food and beverage, pharmaceutical industries.



### ► Specifications

Accuracy	±0.5% of full scale ASME B40.1 Grade 2A
Ambient temperature	-40°C to 65°C
Process temperature	Max +100°C Max +212°F
Operating pressure	75% of the scale value
Over pressure limit	25% of full scale value
Case	Black Phenolic, solid front, blow out back
Ring	AISI 304 SS, bayonet type
Bourdon Tube	AISI 316L SS
Socket	AISI 316L SS
Movement	AISI 304 SS
Welding	Tig argon arc welding
Protection	IP 67
Dial	Aluminum, black & red graduation on white background
Pointer	Aluminum, black colored micrometer zero adjustable
Window	Plexiglas
Fill	Glycerine/H <sub>2</sub> O -40°C (standard) Silicone (optional)
Gaskets/Vent/ Blow Out Plugs	Buna N
Standard Scale	psi/kPa (standard), special dials & scales available
Connection	1/2" NPT (standard) 1/4" NPT (optional)
Options	Certifiable to 0.5% NIST traceability Oxygen Cleaned (dry case only)

### ► How to order

**Standard Model Glycerine Filled:**  
1/2" GTG3012 + Range Code

**Standard Model Glycerine Filled:**  
1/4" GTG3014 + Range Code

Range Code		Range Code		Range Code		Range Code	
<b>01</b>	<b>30" Hg - 0</b>	<b>09</b>	<b>0-15 psi/kPa</b>	<b>17</b>	<b>0-500 psi/kPa</b>	<b>25</b>	<b>0-5000 psi/kPa</b>
02	30" Hg-15 psi/kPa	<b>10</b>	<b>0-30 psi/kPa</b>	<b>18</b>	<b>0-600 psi/kPa</b>	<b>26</b>	<b>0-6000 psi/kPa</b>
<b>03</b>	<b>30" Hg-30 psi/kPa</b>	<b>11</b>	<b>0-60 psi/kPa</b>	19	0-800 psi/kPa	<b>27</b>	<b>0-10,000 psi/kPa</b>
04	30" Hg-60 psi/kPa	<b>12</b>	<b>0-100 psi/kPa</b>	<b>20</b>	<b>0-1000 psi/kPa</b>	28	0-15,000 psi/kPa
05	30" Hg-100 psi/kPa	<b>13</b>	<b>0-160 psi/kPa</b>	<b>21</b>	<b>0-1500 psi/kPa</b>	29	0-20,000 psi/kPa
06	30" Hg-150 psi/kPa	<b>14</b>	<b>0-200 psi/kPa</b>	<b>22</b>	<b>0-2000 psi/kPa</b>		
07	30" Hg-200 psi/kPa	<b>15</b>	<b>0-300 psi/kPa</b>	<b>23</b>	<b>0-3000 psi/kPa</b>		
08	30" Hg-300 psi/kPa	<b>16</b>	<b>0-400 psi/kPa</b>	24	0-4000 psi/kPa		

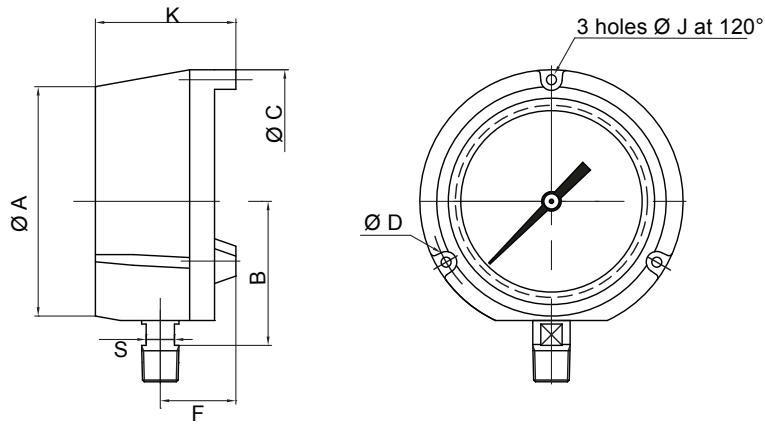
Ranges shown in bold are typically stocked in our warehouse.

# GTG30 Series (4.5"/115mm)

Solid Front Process Pressure Gauges  
1/2" or 1/4" NPT Bottom Mount



## ► Dimensions (Drawings are not to scale. Dimensions in millimeters.)



mm	A	B	C	D	F	J	K	S
<b>NS 130</b>	129	102	148	137	38	5.6	73	15.9
<b>4.5"</b>	5 5/64"	4 1/64"	5 53/64"	5 25/64"	1 1/2"	7/32	2 7/8"	5/8"